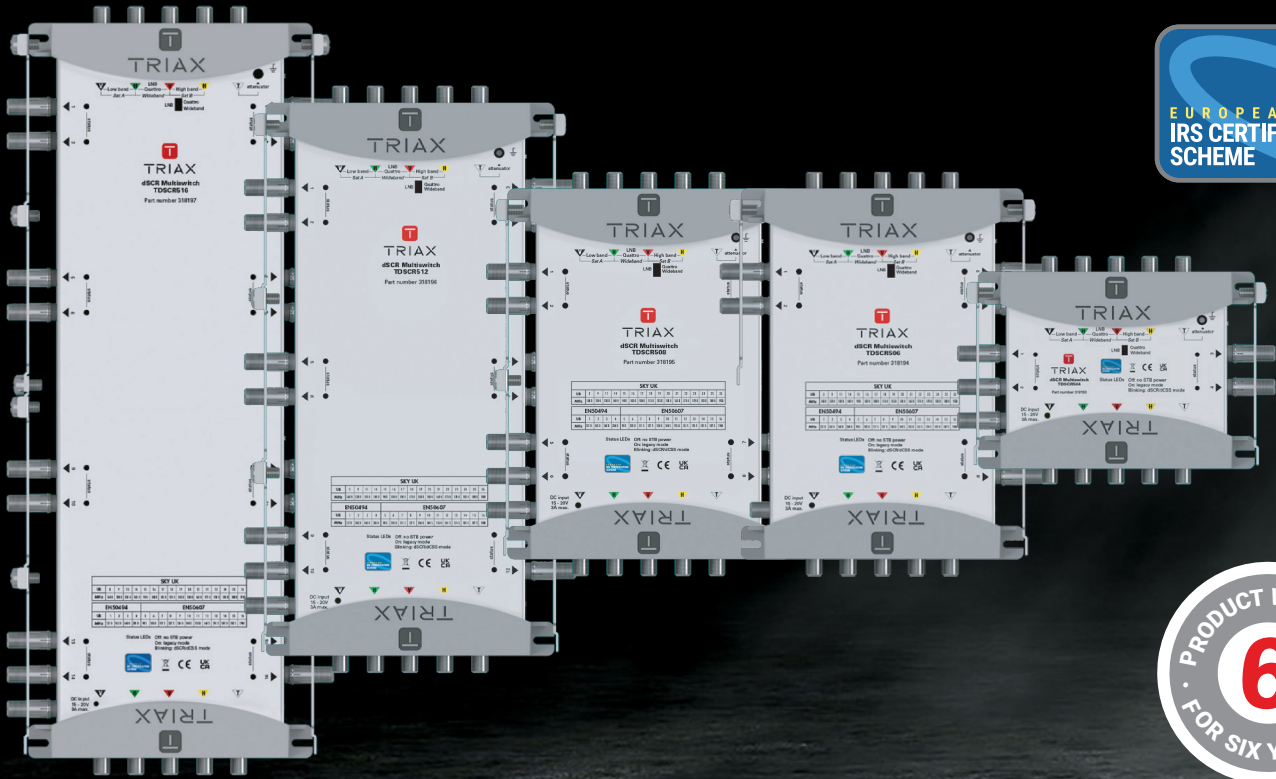




TRIAX

connecting the future



TRIAX dSCR multiswitches

Easy install with LED Indicators on Consumer Outputs (Gen 3)

TdSCR 504/506/508/512/516 multiswitches

The only switch you need

Independent outputs for legacy or dSCR mode; can be used as cascade or standalone.

Ultimate flexibility

With your choice of 4, 6, 8, 12 or 16 outputs, TRIAX multiswitches are compatible with Quattro and Wideband LNBs, and support 1 or 2 satellite positions.

European IRS Certification Scheme

Certified to the EICS scheme demonstrating the high quality of the solution and compatibility with all major satellite and TV platforms.

NEW - 4 Way Remote Powered

When no landlord supply is available (TdSCR 504RP only).

Reduce costs

Low power consumption means you can build large, cascadable systems with a single PSU connected at any point in the system.

Easy planning and installation

Simple integration with existing TRIAX solutions; 5x Quick F connectors included.

Safety first

Earth Bars included for all subscriber outputs.

LED Indicators on Consumer Outputs

Easily check your connections and status at a glance.

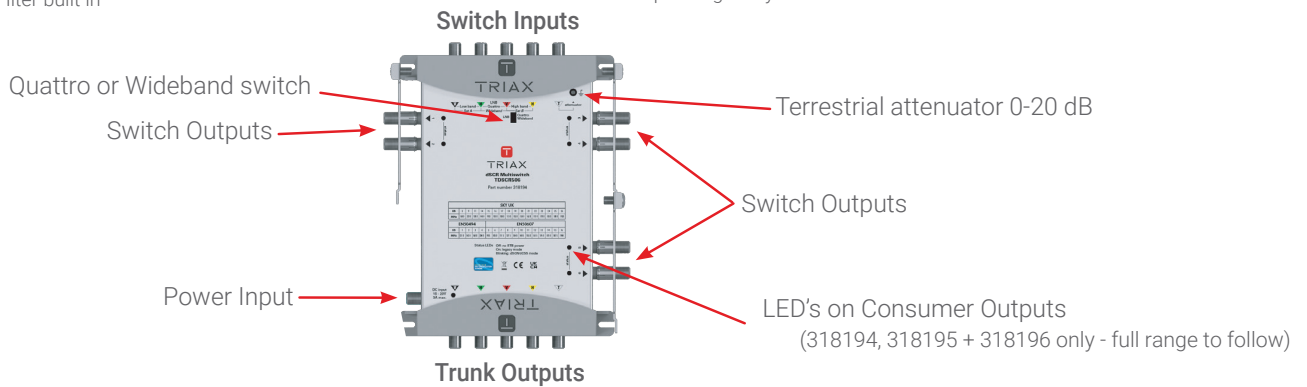
triaux.com



TRIAX

connecting the future

- 4, 6, 8, 12 or 16 SCR/Legacy outputs
- Switchable Quattro / Wideband satellite inputs for 1 or 2 satellite positions
- Terrestrial Level Control for signals 0–20dB
- DC input (for switch, line and LNB powering)
- LED's on Consumer Outputs (318194, 318195 + 318196 only - full range to follow)
- Can be used as a Cascade or Standalone Multiswitch
- LTE Filter built in
- Balanced dSCR and Legacy output signal levels (AGC) for easy system planning and installation
- Each subscriber output provides dSCR, Legacy, TV and Radio
- Trunk outputs allow the cascade of multiple switches to support large installations
- The unit can be powered directly via the DC input port, or remotely via the trunk lines
- Use power supplies 318165 (1.2A), 318166 (2A) or 318167 (3A) depending on system size



| Type | | TdSCR 504RP | TdSCR504 | TdSCR506 | TdSCR508 | TdSCR512 | TdSCR516 |
|---|------|---|----------------|------------------|----------------|----------------|---|
| Art. No. | | 318192 | 318185 | 318194 | 318195 | 318196 | 318188 |
| Inputs | | 4 x SAT (1 x Quattro or 2 x Wideband) + 1 x Terr. | | | | | |
| No. Consumer Outputs | | 4 | 4 | 6 | 8 | 12 | 16 |
| Impedance inputs/outputs | Ohm | 75 | | | | | |
| FREQUENCY RANGE - SAT (Switchable) | | | | | | | |
| - dSCR, Legacy | MHz | 950 - 2150 | | | | | |
| - Wideband | MHz | 290 - 2340 | | | | | |
| Frequency range Terr. | MHz | 40 - 790, active | | 40 - 694, active | | | 40 - 790, active |
| Input power range/dSCR/Legacy | dBuV | 70 - 100 (-38 to -8dBm) | | | | | |
| Output power range/dSCR/Legacy*(AGC) | dBuV | 85 (-25dBm)* | 83 (-26dBm)* | 86 (-23dBm)* | | | 83 (-26dBm)* *(+/-1dB with 2 carriers) |
| OPERATIONAL | | | | | | | |
| Insertion loss Terr. | dB | 2 +/--2dB | 2 +/--2dB | 4 +/--2dB | | | 7 +/--5dB |
| Attenuation Terr. | dB | 0 to 20 | | | | | |
| Max output power Terr. | dBuV | 90 | | | | | |
| Through loss SAT | dB | -2.5 Typ. | -2.5 +/--2dB | -4 +/--2dB | -4 +/--2dB | -5.5 +/--2dB | -9 +/--5dB |
| Through loss Terr. | dB | -4.0 Typ. | -3 +/--2dB | -3 +/--2dB | -3 +/--2dB | -4 +/--2dB | -7 +/--2dB |
| Isolation H/V | dB | 25 | | | | | |
| Return loss Inputs/Outputs | dB | 10 | | | | | |
| User band frequencies | | SKY UK, EN50607, EN50494 (automatic selection) | | | | | |
| LNB Supply voltage | V | 15 -20 | | | | | |
| Max LNB supply current | mA | 1000 | | | | | |
| Current consumption @18V | mA | 250 | 40 | 60 | 70 | 100 | 160 |
| External/Trunk PSU | V | Yes (15 - 20) | | | | | |
| Powering via SAT trunk cables | | No | Yes | | | | |
| Remote Powering Via Switch Output Ports | | Yes | No | | | | |
| LED Status indicator | | Green LED: Steady - Legacy / Flashing - dSCR (318194, 318195 + 318196) - Full range to follow | | | | | |
| MECHANICAL | | | | | | | |
| Dimensions (W x L x H) | mm | 191 x 136 x 52 | 191 x 136 x 52 | 191 x 236 x 52 | 191 x 236 x 52 | 191 x 335 x 52 | 191 x 446 x 52 |
| Weight | g | 520 | 520 | 650 | 800 | 1160 | 1980 |
| Operational temperature range | °C | -20 to +50 | | | | | |
| DC Connector type | | F Connector | | | | | |
| European IRS Certification | | No | Yes | | | | |