

BT8422

FLAT SCREEN WALL MOUNT FOR SCREENS UP TO 80"

Designed for medium sized screens up to 70kg, the slim BT8422 mounts screens just 30mm from the wall and features post installation screen alignment, B-Tech's "On Wall Levelling System" and simple 'hook-on' installation to make screen mounting as quick and simple as possible. The BT8422 also features a security locking bar to help prevent un-authorized removal of the screen. All mounting hardware included.

SPECIFICATIONS

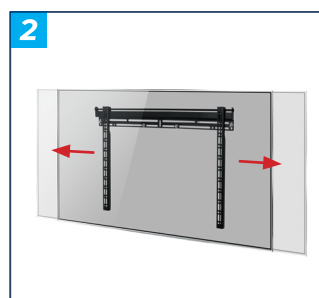
Recommended screen size	up to 80"
Max load	70kg
Fixing patterns	up to 840mm x 500mm
Distance from wall	30mm

FEATURES

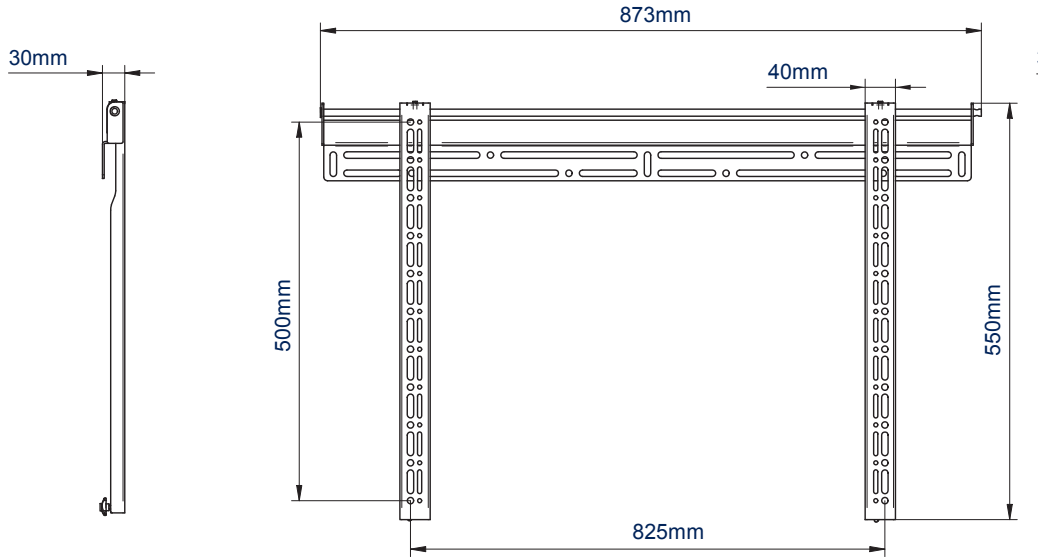
- 1 Low profile design mounts screen only 30mm from the wall
 - 2 Post installation screen alignment for perfect positioning every time
 - 3 Security locking screws, Allen key and locking bars provided for secure install
 - 4 All mounting hardware included
- On Wall Levelling system allows you to level the wall plate post installation
 - Lateral adjustment of screen once mounted
 - Security locking screws prevent unauthorised screen removal
 - Keyhole mounting for easy installation
 - Collar compatible, ideal for pole mounting
 - Simple 'hook-on' installation



RECOMMENDED MAX SCREEN	MAX LOAD	MAX VESA	POST INSTALL ALIGNMENT	COLLAR COMPATIBLE	QR CODE
80" 140cm	70kg	500			

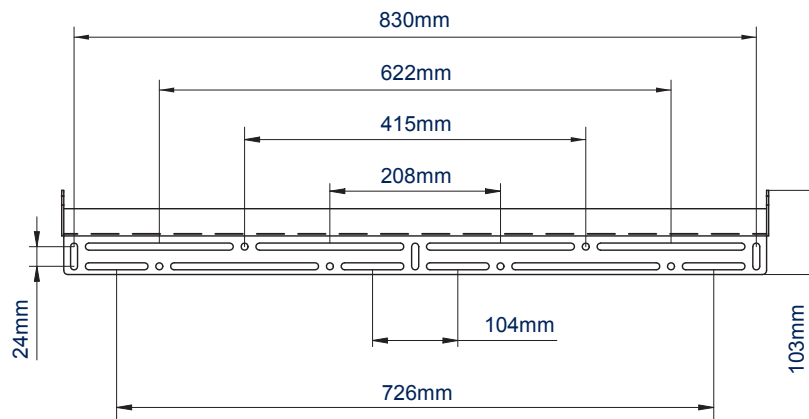


BT8422



SIDE VIEW

FRONT VIEW



WALL PLATE

ORDERING INFORMATION

COLOUR	ORDER REF	EAN
Black	BT8422/B	5019318084256

RELATED PRODUCTS

PRODUCT CODE	NAME	DESCRIPTION
BT8421	Universal Flat Screen Wall Mount	Designed for medium sized screens up to 35kg
BT8210	Ultra-Slim Flat Screen Wall Mount	Designed for medium sized screens up to 50kg
BT8432	Universal Flat Screen Wall Mount	Designed to mount large to extra-large sized screens
BT9903	XL Heavy Duty Flat Screen Wall Mount	Designed to mount the largest screens on the market

© 2018 B-Tech AV Mounts Corporation Ltd. All rights reserved.
 The information in this specification sheet reflects the current technical specifications at the time of printing.
 We reserve the right to change the technical or physical specifications without prior notice. The B-Tech name and the B-Tech logo are registered trademarks of B-Tech AV Mounts Corporation Ltd.
 B-Tech is not responsible for loss or damage caused by improper installation or mounting on unstable structures. Any reproduction or reuse, alteration or modification of any part of this specification sheet is strictly prohibited unless prior written permission is granted by B-Tech AV Mounts Corporation Ltd. B-Tech.

SS-V2-BT8422-020924