

SPRO^{IP}

DHIPD80/28LRW/30-D-V4

8MP IP Smart Dual Illumination Active Deterrence Camera



ACTIVE DETERRENCE 2.0



COLOUR NIGHT 2.0
 SMART DUAL ILLUMINATION

SMD 4.0
 Smart Motion Detection 4.0

PERIMETER PROTECTION

AI PRO
 ARTIFICIAL INTELLIGENCE

TWOWAYAUDIO



AOC
 AUDIO CAT5e CABLE

ONVIF

Key Features:

- 8 megapixel
- H.265
- 2.8mm Lens
- Up to 30m LED distance (smart LED)
- Up to 30m IR distance (smart LED)
- SMD 4.0 (Smart motion detection)
- Intrusion (human & vehicle classification)
- Tripwire (human & vehicle classification)
- Two-way-audio
- 120dB WDR
- IP67 waterproof
- DC 12V/POE



SPECIFICATIONS

Model Number	DHIPD80/28LRW/30-D-V4
Image Sensor	1/2.7" CMOS
Effective Pixels	3840 (H) × 2160 (V)
ROM	256 MB
RAM	2 G
Scanning System	Progressive

(continued)

Electronic Shutter Speed	Auto/Manual 1/3 s–1/100,000 s
Min. Illumination	0.004 lux@F1.0 (Colour, 30 IRE) 0.0004 lux@F1.0 (B/W, 30 IRE) 0 lux (illuminator on)
S/N Ratio	>56 dB
Illumination Distance	30 m (98.43 ft) (IR) 30 m (98.43 ft) (warm light)
Illuminator On/Off Control	Auto/Manual
Illuminator Number	1 (IR LED) 1 (Warm light)
Pan/Tilt/Rotation Range	Horizontal: 0°–360°; vertical: 0°–78°; rotation: 0°–360°

Lens

Lens Type	Fixed focal
Mount Type	M12
Focal Length	2.8 mm
Field of View	Horizontal: 106°; vertical: 55°; diagonal: 125°
Iris Type	Fixed
Max Aperture	F1.0
Close Focus Distance	1.5 m (4.92 ft)
DORI Distance	Detect: 66m Observe: 26.4 m Recognise: 13.2 m Identify: 6.6 m

Intelligence

IVS (Perimeter Protection)	Tripwire; intrusion (Recognition of human and vehicle)
SMD 4.0	Less false alarm, longer detection distance
AcuPick	Uses deep learning algorithms and works with back-end devices to accurately match targets, such as people and motor vehicles, and search through live and recorded videos to quickly locate targets
AI SSA	Adopt deep learning algorithms to adjust the parameters of the image to suit the conditions.
Smart Search	Work together with Smart NVR to perform refine intelligent search, event extraction and merging to event videos

Video

Video Compression	H.265; H.264; H.264H; H.264B; MJPEG (Only supported by the sub stream)
Smart Codec	Smart H.265+; Smart H.264+
AI Coding	AI H.265 (Compression rate $\geq 25\%$), AI H.264 (Compression rate $\geq 25\%$)
Video Frame Rate	Main stream: 3840 × 2160 @ (1 fps–25/30 fps) Sub stream: 704 × 576@(1–25 fps)/704 × 480@(1–30 fps) Third stream: 1920 × 1080@(1–25/30 fps) *The values above are the max. frame rates of each stream; for multiple streams, the values will be subjected to the total encoding capacity.
Stream Capability	3 streams
Resolution	8M (3840 × 2160); 6M (3072 × 2048); 5M (3072 × 1728/2592 × 1944); 4M (2688 × 1520/2560 × 1440); 3M (2048 × 1536/2304 × 1296); 1080p (1920 × 1080); 1.3M (1280 × 960); 720p (1280 × 720); D1 (704 × 576/704 × 480); VGA (640 × 480); CIF (352 × 288/352 × 240)
Bit Rate Control	CBR/VBR/ABR
Video Bit Rate	H.264: 3 kbps–16384 kbps; H.265: 3 kbps–16384 kbps
Day / Night	Auto (ICR) / Colour / B/W
BLC	Yes
HLC	Yes
WDR	120 dB
Scene Self-adaptations	Yes
White Balance	Auto; natural; street lamp; outdoor; manual; regional custom
Gain Control	Auto
Noise Reduction	3D NR
Motion Detection	OFF/ON (4 areas)
Region of Interest (RoI)	Yes (4 areas)
Smart Illumination	Yes
Defog	Yes
Image Rotation	0°/90°/180°/270° (Support 90°/270° with 2688 × 1520 resolution and lower)
Mirror	Yes

(continued)

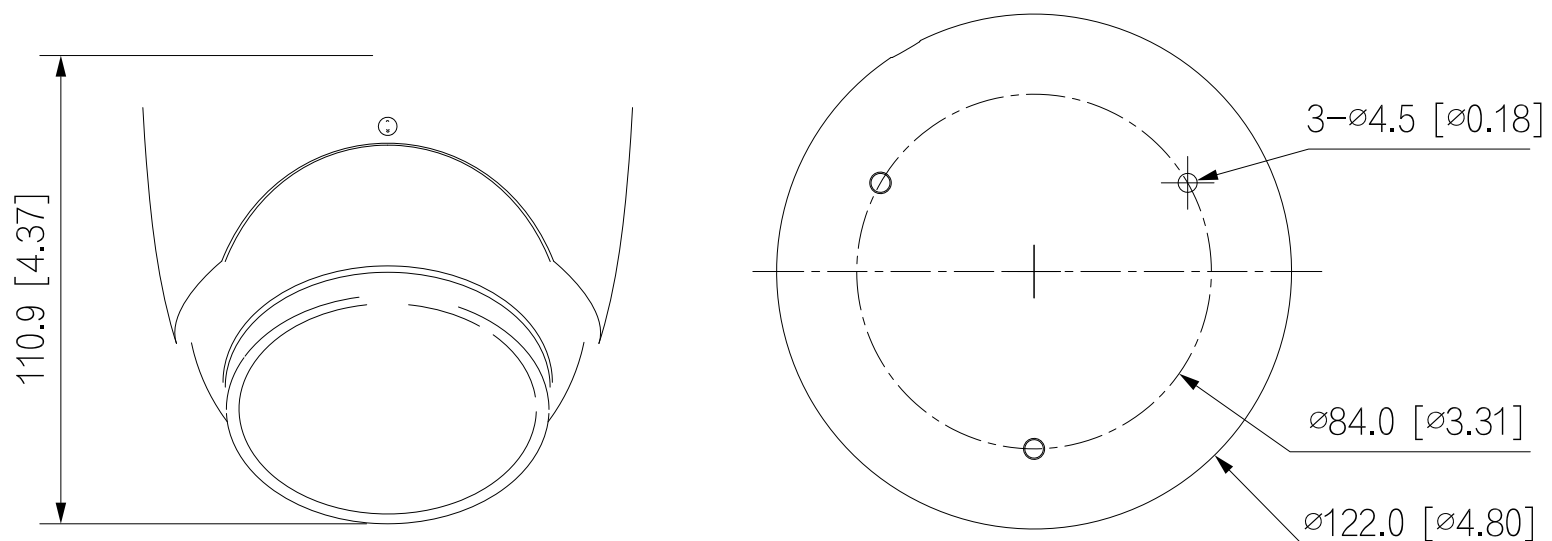
(continued)

Privacy Masking	4 areas
LDC	Yes
Audio	
Built-in MIC	Yes, built-in dual Mic
Built-in Speaker	Yes, built-in Speaker
Audio Compression	PCM; G.711a; G.726Mu; G.726; G.723
Alarm	
Alarm Event	No SD card; SD card full; SD card error; network disconnection; IP conflict; illegal access; motion detection; video tampering; tripwire; intrusion; scene changing; audio detection; voltage detection; external alarm; SMD; security exception
Network	
Network	RJ-45 (10/100 Base-T)
SDK and API	Yes
Cyber Security	Video encryption; firmware encryption; configuration encryption; Digest; WSSE; account lockout; security logs; IP/MAC filtering; Generation and importing of X.509 certification; syslog; HTTPS; 802.1x; trusted boot; trusted execution; trusted upgrade
Protocol	IPv4; IPv6; HTTP; TCP; UDP; ARP; RTP ; RTSP; RTCP; RTMP; SMTP; FTP; SFTP; DHCP; DNS; DDNS; QoS; UPnP; NTP; Multicast; ICMP; IGMP; NFS; PPPoE; SNMP; P2P
Interoperability	ONVIF (Profile S;Profile G;Profile T); CGI
User/Host	20 (Total bandwidth: 64 M)
Storage	FTP; SFTP; Micro SD card (Support max. 256Gb); NAS
Browser	IE: IE8/9/11; Chrome; Firefox
Management Software	Smart PSS Lite; DMSS
Mobile Phone	iOS; Android
Certification	
Certification	CE-LVD: EN 62368-1; CE-EMC: Electromagnetic Compatibility Directive 2014/30/EU

(continued)

Port	
Audio Input	1 channel (RCA port)
Audio Output	1 channel (RCA port)
Alarm Input	1 channel in: wet contact, 5 mA 3–5 VDC
Alarm Output	1 channel out: wet contact, 300 mA 12 VDC
Power	
Power Supply	12 VDC; PoE
Power Consumption	Basic: 4.5 W (12 VDC); 5.8 W (PoE) Max. (H.265+WDR+ warm light+siren and light active deterrence + intelligence on): 8.6 W (12 VDC); 10.1 W (PoE)
Environment	
Operating Conditions	–40 °C to +60 °C (–40 °F to +140 °F)/Less than 95% RH
Storage Conditions	–40 °C to +60 °C (–40 °F to +140 °F)
Protection Grade	IP67
Structure	
Casing	Metal
Dimensions	Φ122.0 mm × 110.9 mm (4.80" × Φ4.37")
Net Weight	0.75 kg (1.65 lb)
Gross Weight	0.92 kg (2.03 lb)

Dimensions (mm[inch])



All specifications are subject to change without notice. Copyright © Luxrite Ltd. All rights reserved