

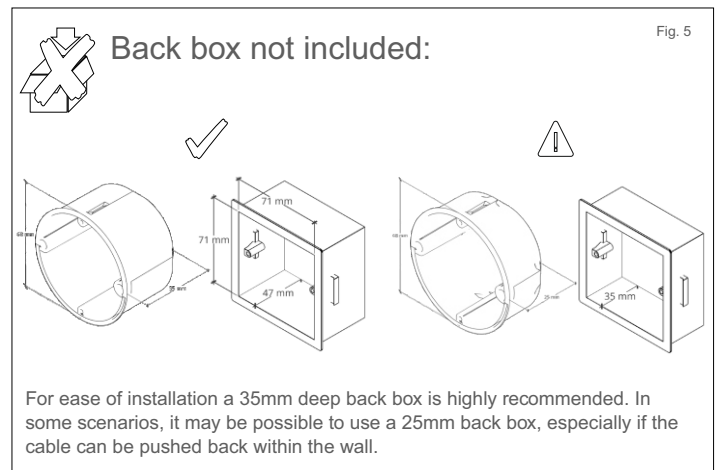
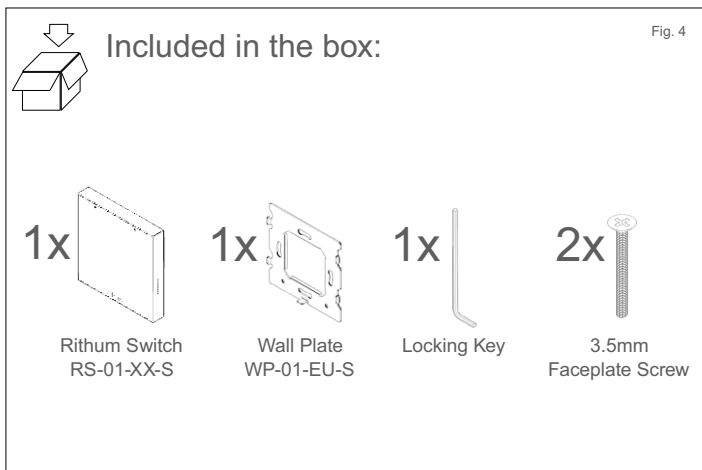
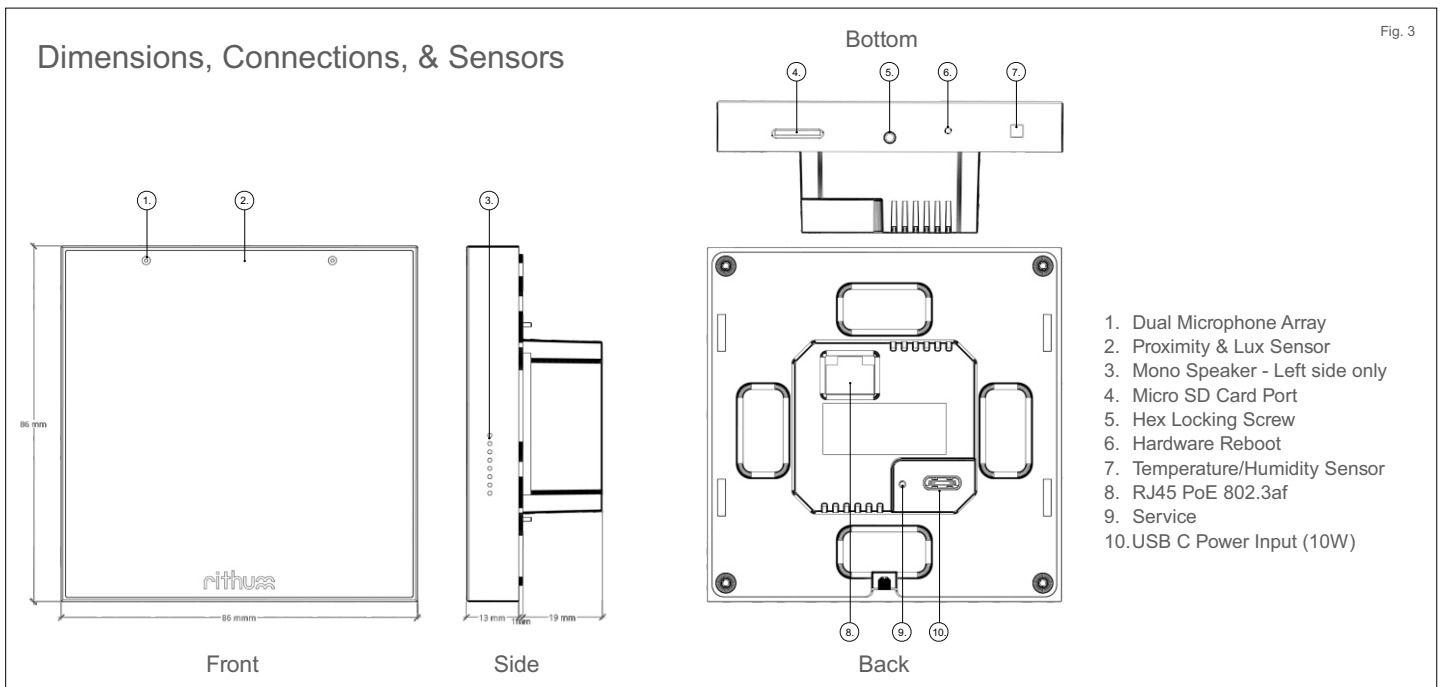
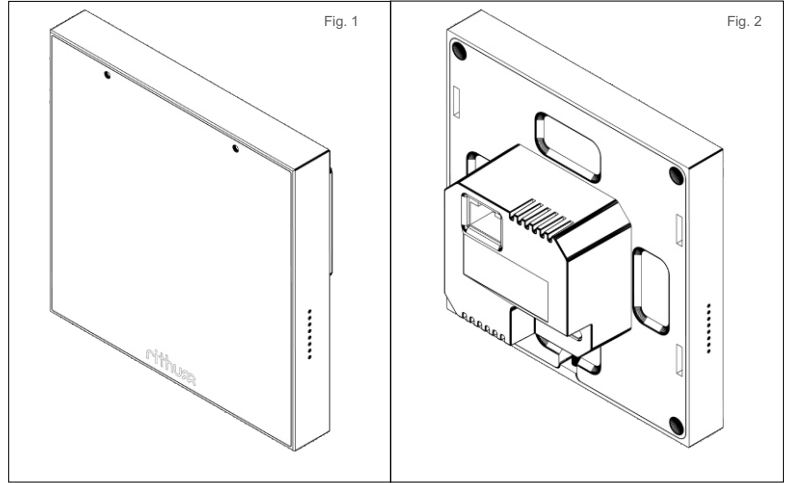
Description:

uControl Rithum Switch Pro is a PoE smart keypad which provides access to uControl Sequences and other specialised functions.

The uControl Rithum Switch Pro is delivered with the HDANYWHERE plugin pre-assigned, giving you immediate access to smart home and venue sequences from a configured uControl system, along with a standard plugin for SONOS.

Specification:

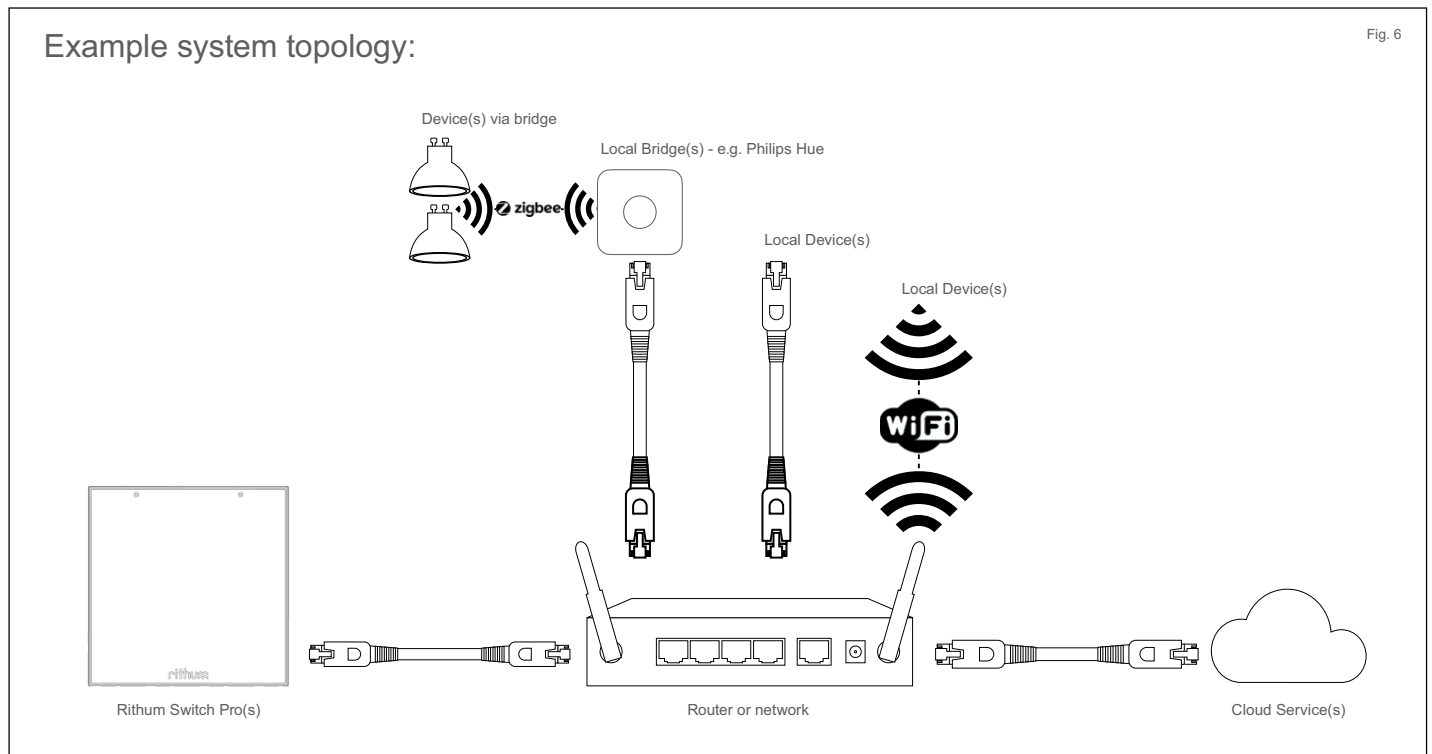
- PoE:** IEEE 802.3af
- Power Draw:** 10W Max
- Power consumption standby:** 0.7W
- Wi-Fi:** 2.4GHz 802.11bgn (Wi-Fi 4)
- Environment:** For indoor use only
- Back box:** EU 71mm round or UK 71mm square
- Back box depth:** 35mm (25mm in some scenarios)
- Environment:** -15c to 45c



System topology:

uControl Rithum Switch Pro integrates with uControl systems (HDA MHUB, uControl Zone Processors and uControl Connect) or any device with uControl inside over wired LAN or 2.4G Wi-Fi. Multiple uControl Rithum Switch Pro devices can communicate with a uControl system over the same network (subject to network limitations).

Functionality of uControl Sequences is subject to the capabilities of the uControl Operating System (OS) being connected to (MHUB-OS or uOS). For more information, contact your distributor or support@hdanywhere.com



Installation:

Fig. 12

