

Table of contents

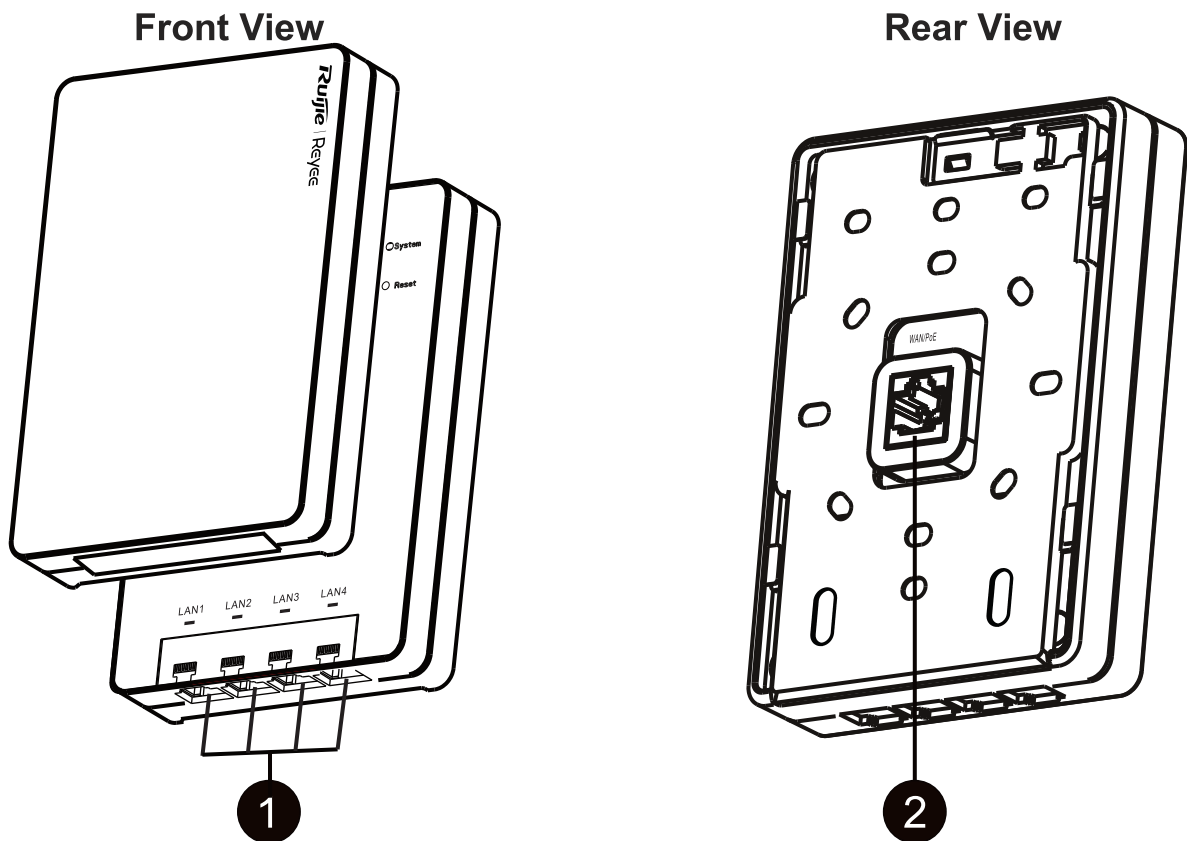
User Manual	1-6
دليل المستخدم	7-12
Manuel d'utilisation.....	13-18
Benutzerhandbuch	19-24
Buku Panduan.....	25-30
Manuale d'uso	31-36
Manual do usuário.....	37-42
Руководство пользователя.....	43-48
Manual del usuario	49-54
คู่มือการใช้งาน.....	55-60
安裝指南.....	61-66
Kullanıcı El Kitabı.....	67-72
Hướng dẫn sử dụng.....	73-78

User Manual

1.1 Package Contents

Item	Quantity
RG-RAP1260 Access Point (Including a Cover)	1
User Manual	1
Warranty Card	1
Mounting Bracket	1
T-Key to Security Lock	1
M4 x 25 mm Screws	4

1.2 Appearance and Ports



① LAN Port

② WAN/PoE Port

The access point adopts PoE power supply. Connect the WAN/PoE port of the access point to a PoE-capable switch or other power source equipment with an Ethernet cable.

1.3 Hardware Specifications

Specifications	Description
Dimensions (W × D × H)	124 mm × 86 mm × 24 mm (4.88 in. × 3.39 in. × 0.94 in., the height refers to the distance from the wall because the mounting bracket is installed on the junction box.)
Weight	0.5 kg (1.1 lbs)
Data Rate	2.4 GHz: 574 Mbps 5 GHz: 2402 Mbps Combined: 2976 Mbps
Operating Bands	802.11b/g/n/ax: 2.4 GHz to 2.4835 GHz 802.11a/n/ac/ax: 5.150 GHz to 5.350 GHz, 5.470 GHz to 5.725 GHz, 5.725 GHz to 5.850 GHz
Antenna	Built-in omnidirectional antenna
Service Ports	One 10/100/1000Base-T Ethernet uplink port, supporting PoE input Four 10/100/1000Base-T Ethernet downlink ports
Restart/Restore to Factory Settings	Supported
Status LED	One white LED
Power Supply	IEEE 802.3af/at-compliant PoE
Max Power Consumption	12 W
Environment	Operating temperature: 0°C to 40°C (32°F to 104°F)
	Operating humidity: 5% to 95% (non-condensing)
	Storage temperature: -40°C to +70°C (-40°F to +158°F)
	Storage humidity: 5% to 95% (non-condensing)
Color	White, black, gold, gray, silver, and rose gold

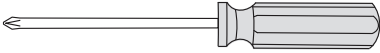
1.4 LED and Button

	Status	Description
LED	Off	The access point is not receiving power.
	Slow blinking (at 0.5 Hz)	The access point is operating but an alarm occurs.
	Fast blinking (at 2 Hz)	Possible cases: <ul style="list-style-type: none"> ● Restoring the access point to factory settings. ● Upgrading the firmware. ● Handling alarms automatically. ● Starting up the access point.
	Solid white	The access point is operating normally without alarms.
Reset Button	Press the button for	Restart the access point.

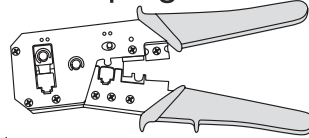
	less than 2 seconds	
	Press the button for more than 5 seconds	Restore the access point to factory settings.

1.5 Tools (Customer-supplied)

Phillips Screwdriver

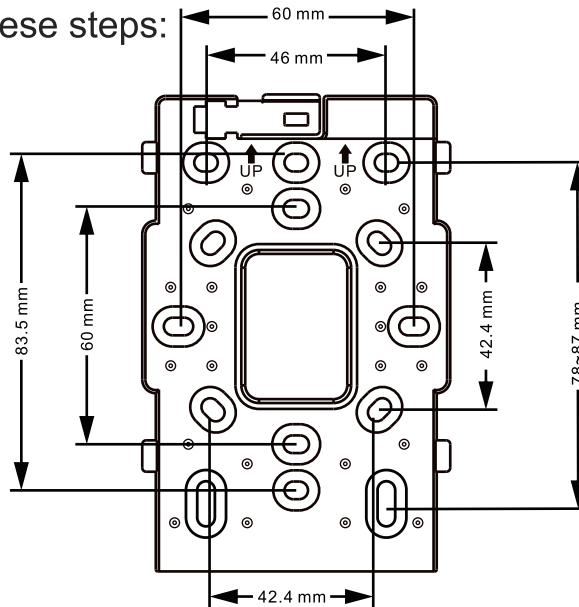


Crimping Plier



1.6 Installing the Access Point

The access point can be installed on various junction boxes, including Chinese-standard and European-standard 86-mm junction boxes, American-standard 118-mm junction box, and South African-standard 120-mm junction box. To mount the access point on a Chinese-standard 86-mm junction box, follow these steps:

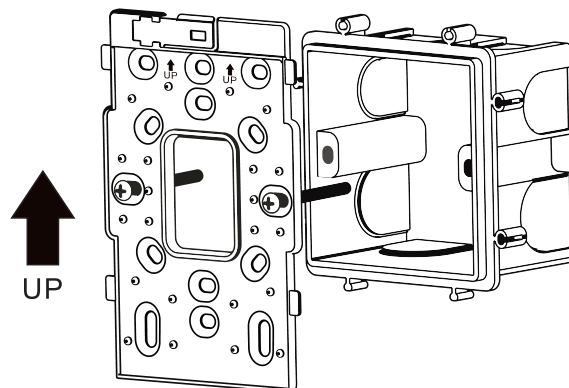


Caution

By default, the access point is installed with a white cover upon delivery. You are advised to remove the default cover from the access point after installing the access point on the wall.

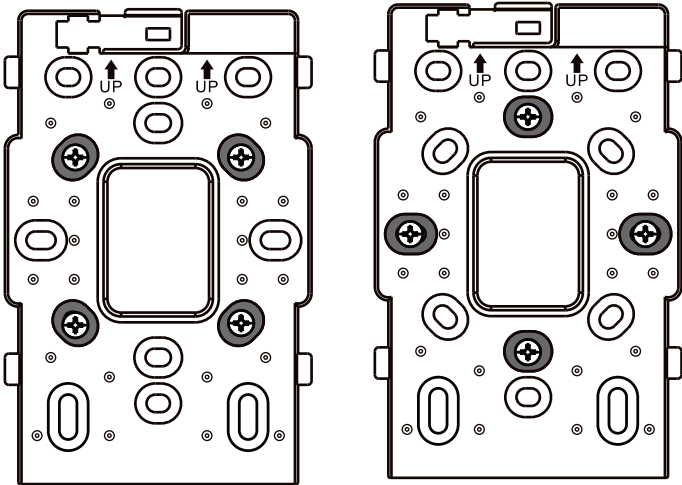
- (1) Secure the mounting bracket to the junction box using screws.

Chinese-standard 86 mm × 86 mm Junction Box

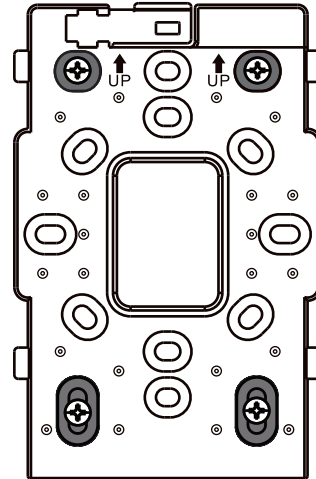


Note: The following are brackets on European-standard 86 mm × 86 mm junction box, American-standard 108 mm × 59 mm junction box, and South African-standard 114 mm × 114 mm junction box. The access point can be mounted horizontally or vertically on a South African-standard junction box.

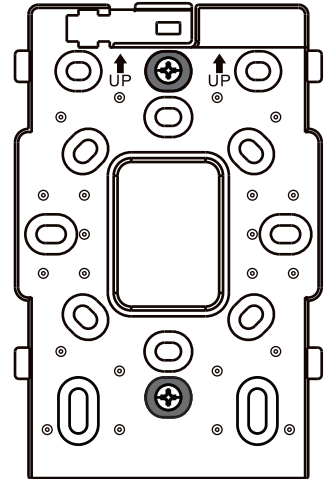
Bracket on
European-standard
86 mm × 86 mm
Junction Box



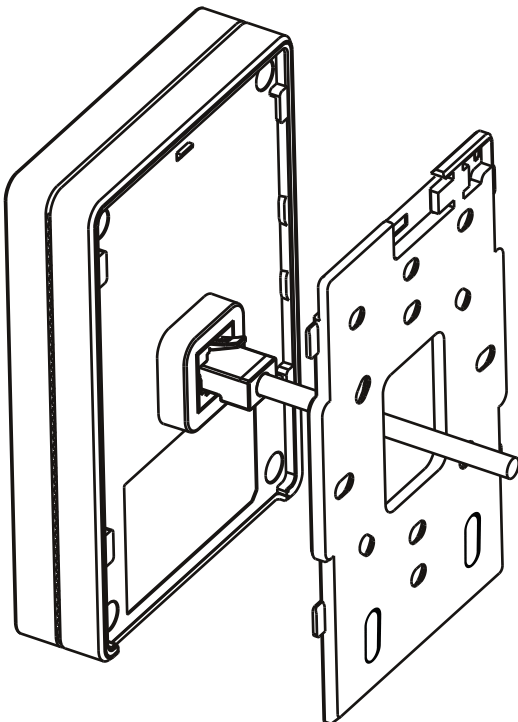
Bracket on South
African-standard
114 mm × 114 mm
Junction Box



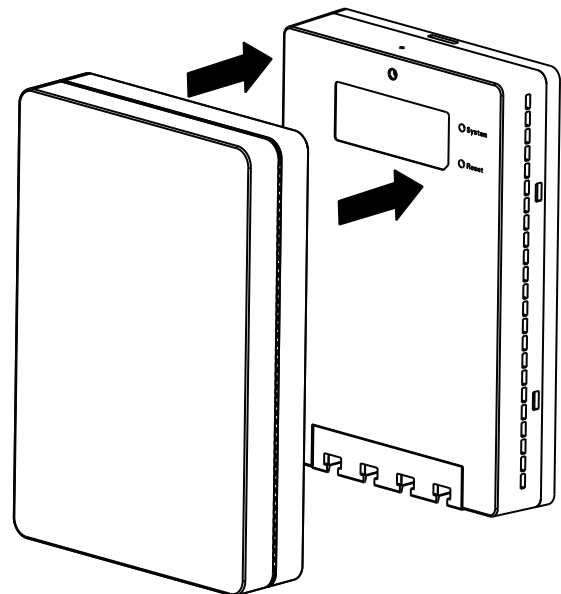
Bracket on
American-standard
108 mm × 59 mm
Junction Box



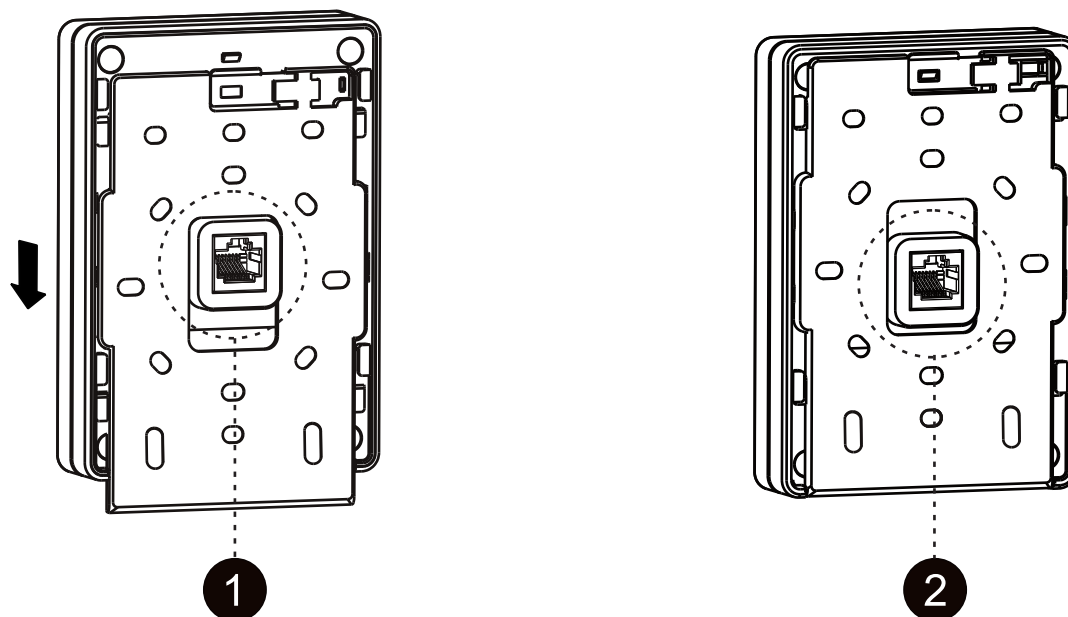
(2) Connect Ethernet cables as required.



(3) (Optional) Remove the default cover from the access point. Install a new cover on the access point.



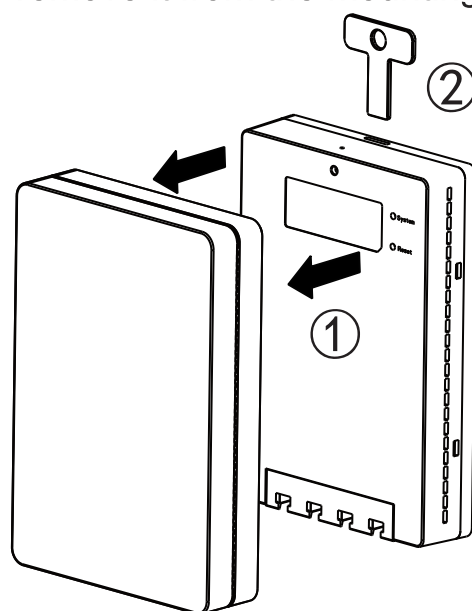
(4)Align the upper edge of the WAN port on the access point with the upper edge of the hole on the mounting bracket. Slide the device downward to secure it on the mounting bracket.



Note: Keep the key to the security lock (T-key) after installation. This product is designed with anti-theft function. You need to use the T-key to remove the access point.

1.7 Removing the Access Point

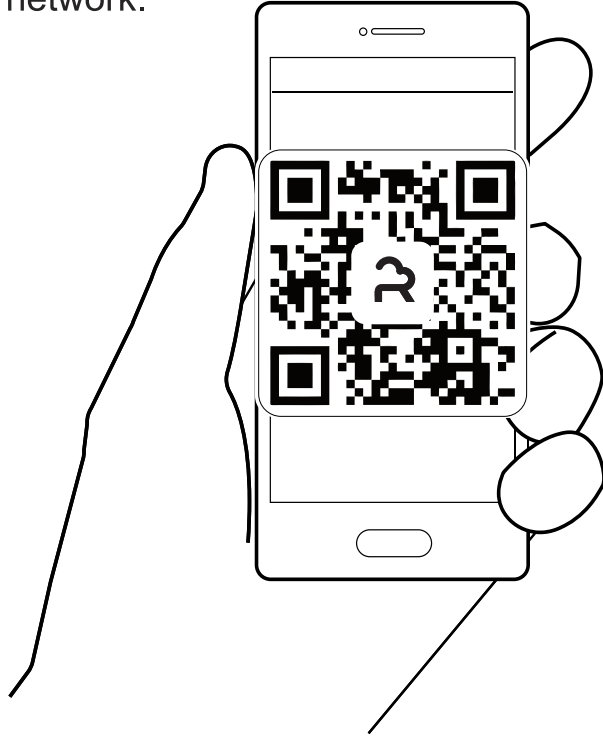
- (1) Remove the cover horizontally from the access point.
- (2) Insert the T-key into the square hole on the top of the access point. Push the device upward to remove it from the mounting bracket.



1.8 Configuring the Access point

Method 1: Scan QR code for configuration

Scan the QR-code in the manual or on the device to download Ruijie Cloud App. **Find First time use Ruijie Cloud?** on the App. Follow the guide on the App to configure the network.



Method 2: Log in to Web management system for configuration

(1) Connect the access point to the SSID. If multiple devices exist on the network, use SSID @Ruijie-mXXXX. If only one device exists on the network, use SSID @Ruijie-sXXXX. You can also create a wired connection by connecting your PC to the LAN port of the access point with an Ethernet cable.

(2) Access <http://10.44.77.253> by browser. You are advised to configure the IP address of the PC as 10.44.77.250.

(3) Click **Start Setup** to create network projects.