

MotionProtect Fibra

Wired indoor IR motion detector



The device is compatible only with hubs supporting Fibra protocol. Find the detailed information by QR code or the link:

<https://ajax.systems/support/devices/motionprotect-fibra/>



2
GRADE
EN 50131

PD 6662
2017

INCERT

MotionProtect Fibra is the device of the new Fibra wired product line. Such devices can only be purchased, installed and administered by accredited Ajax Systems partners.

Up to 12 m detection distance

88.5° horizontal and 80° vertical viewing angles

SmartDetect software algorithm to prevent false alarms

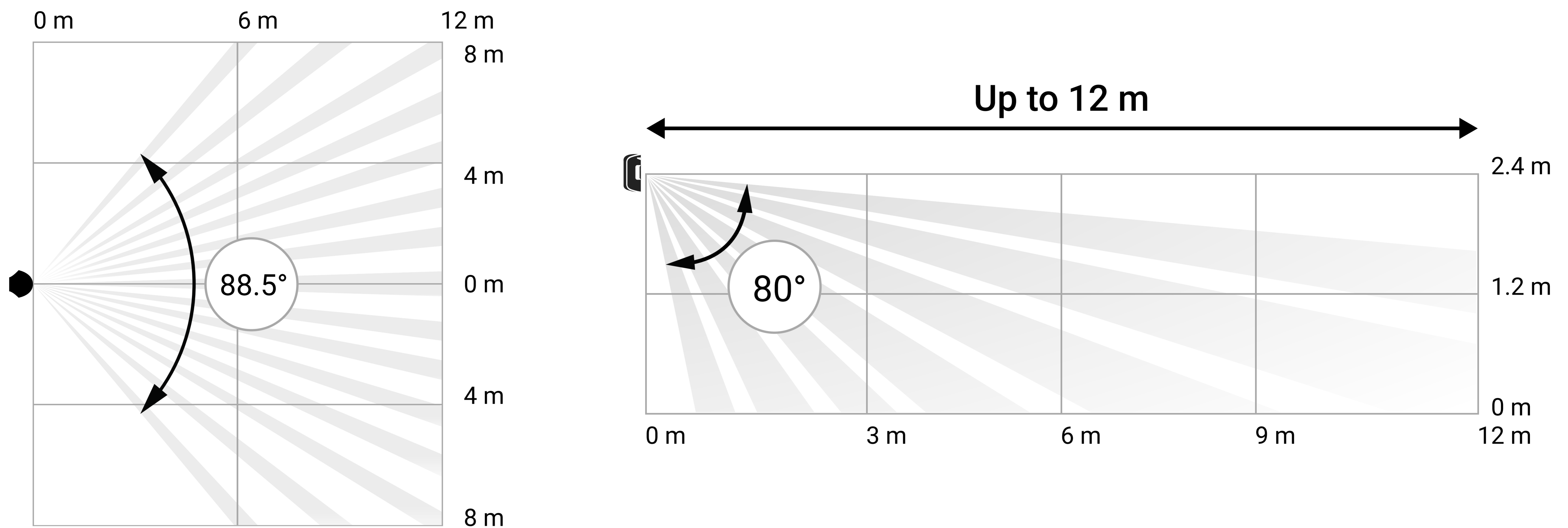
Immunity to pets with a weight of up to 20 kg and height up to 50 cm



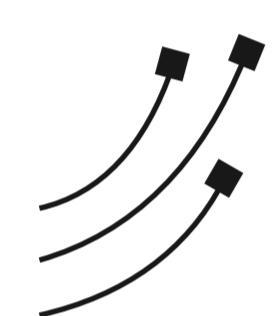
Fibra is a **two-way wired protocol**, ensuring fast and secure communication between hubs and devices. Based on a **bus connection method**, Fibra delivers instant data-rich alarms: security companies and users know which device was triggered, when and where it happened.

Fibra features **encryption** and **authentication** to prevent forgery, and **polling** to display device's status in real time. Supporting **up to 2,000 m** of wired connectivity, Fibra is ready to protect any facilities, and deliver **the best user experience** for both end users and installers.

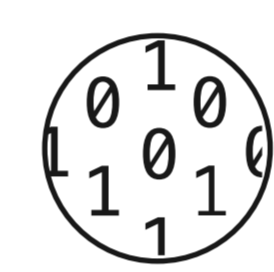
PIR sensor viewing angles



System features



Connecting to a hub via bus method



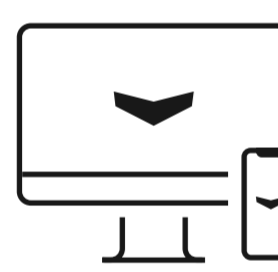
Up to 2,000 m of two-way encrypted communication

12–300
sec

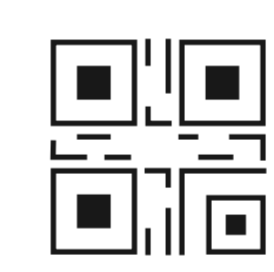
Adjustable polling interval



Tampering alarm notification




Remote configuring via a smartphone or desktop app



Adding to the security system via QR code or bus scanning

Technical specifications

Compliance with standards	EN 50131 (Grade 2) PD 6662:2017 INCERT	Compatibility	Hubs Hub Hybrid (2G) Hub Hybrid (4G) Range extenders no
---------------------------	--	---------------	---

<p>Communication with control panel</p>	<p> Fibra communication technology</p> <p>Communication range up to 2,000 m With U/UTP cat.5, 4×2×0.51 cable</p> <p>Polling interval 12–300 sec Adjusted by PRO or user with admin rights in the Ajax app</p> <p>Protection against forgery Device authentication</p>	<p>Motion detection</p>	<p>Sensitive element PIR sensor</p> <p>Motion detection distance up to 12 m*</p> <p>Detection angles horizontal – 88.5° vertical – 80°</p> <p>Sensitivity 3 levels Adjusted by PRO or user with admin rights in the Ajax app</p> <p>Pet immunity weight: up to 20 kg height: up to 50 cm SmartDetect software algorithm filtering false alarms</p>
<p>Power supply</p>	<p>24 V$\overline{=}$, up to 50 μA</p>	<p>Installation</p>	<p>Operating temperature range from –10°C to +40°C</p> <p>Operating humidity up to 75%</p> <p>Protection class IP50</p>
<p>Casing</p>	<p>Colour white, black</p> <p>Dimensions 110 × 67 × 62 mm</p> <p>Weight 76 g</p> <p>Tampering alarm</p>	<p>Complete set</p>	<p>MotionProtect Fibra SmartBracket mounting panel Installation kit Quick Start Guide</p>

*For INCERT compliance 10m.