

**SPRO**<sup>®</sup>**IP**

# DHIPD40/28LRW-MS

4MP IP Smart Dual Illumination Turret Camera

**COLOURNIGHT 2.0**

**SMART DUAL ILLUMINATION**



## Key Features:

- H.265
- 4 Megapixel
- 2.8mm Fixed Lens
- Microphone built-in
- Speaker built-in
- Classification of Human & Vehicle
- Warm Light Range: Up to 30m
- IR range: Up to 30m
- Perimeter Protection
- SMD+
- 120dB WDR
- Metal Housing
- IP67 Waterproof
- DC12V/POE

## SPECIFICATIONS

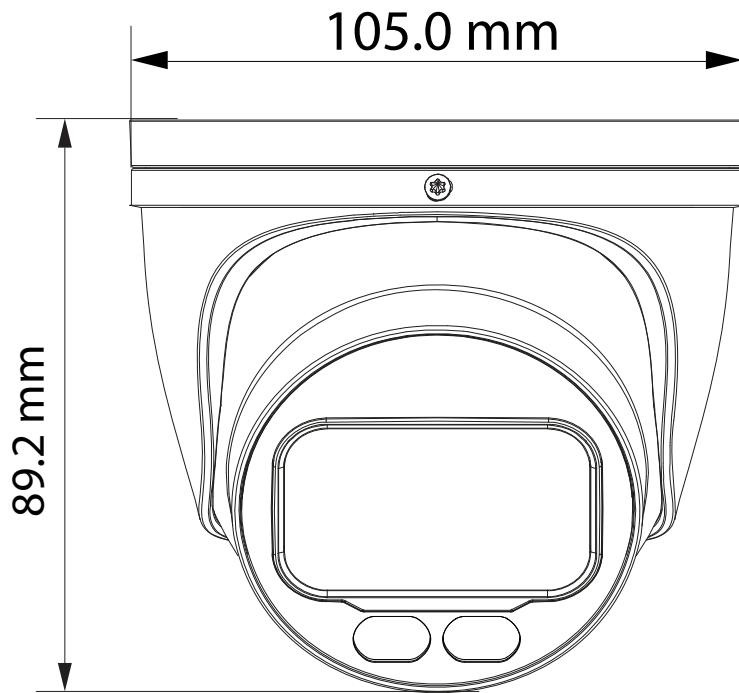
Model Number	DHIPD40/28LRW-MS
Image Sensor	1/2.9" CMOS
Effective Pixels	2688 (H) × 1520 (V)
ROM	128 MB
RAM	128 MB
Scanning System	Progressive

(continued)

<b>Electronic Shutter Speed</b>	Auto/Manual 1/3 s–1/100000 s
<b>Min. Illumination</b>	0.004 lux@F1.0 (Colour, 30 IRE) 0.0004 lux@F1.0 (B/W, 30 IRE) 0 lux (Illuminator on)
<b>S/N Ratio</b>	>56 dB
<b>Illumination Distance</b>	30 m (98.43 ft) (IR); 30 m (98.43 ft) (Warm light)
<b>Illuminator On/Off Control</b>	Auto/Manual
<b>Illuminator Number</b>	1 (IR LED); 1 (Warm light)
<b>Pan/Tilt/Rotation Range</b>	Horizontal: 0°–360°; vertical: 0°–78°; rotation: 0°–360°
<b>Lens</b>	
<b>Lens Type</b>	Fixed focal
<b>Mount Type</b>	M12
<b>Focal Length</b>	2.8 mm
<b>Max. Aperture</b>	F1.0
<b>Field of View</b>	H: 101.6°; V: 54.8°; D: 122.1°
<b>Iris Type</b>	Fixed
<b>Close Focus Distance</b>	2.8 mm: 1.4 m (4.59 ft)
<b>DORI Distance</b>	<b>Detect:</b> 63.8 m   <b>Observe:</b> 25.5 m   <b>Recognise:</b> 12.8 m   <b>Identify:</b> 6.4 m
<b>Intelligence</b>	
<b>IVS (Perimeter Protection)</b>	Intrusion, tripwire (the two functions support the classification and accurate detection of vehicle and human)
<b>Smart Search</b>	Work together with Smart NVR to perform refine intelligent search, event extraction and merging to event videos
<b>SMD</b>	SMD Plus
<b>Video</b>	
<b>Video Compression</b>	H.265; H.264; H.264H; H.264B; MJPEG (only supported by the sub stream)
<b>Smart Codec</b>	Smart H.265+/ Smart H.264+
<b>Video Frame Rate</b>	Main stream: 2688 × 1520@(1–20 fps)/2560 × 1440@(1–25/30 fps); sub stream: 704 × 576@(1–25 fps)/704 × 480@(1–30 fps);  *The values above are the max. frame rates of each stream; for multiple streams, the values will be subjected to the total encoding capacity.

<b>Stream Capability</b>	2 streams
<b>Resolution</b>	4M (2688 × 1520); 3.6M (2560 × 1440); 3M (2304 × 1296); 1080p (1920 × 1080); 1.3M (1280 × 960); 720p (1280 × 720); D1 (704 × 576/704 × 480); VGA (640 × 480); CIF (352 × 288/352 × 240)
<b>Bit Rate Control</b>	CBR/VBR
<b>Video Bit Rate</b>	H.264: 32 Kbps–6144 Kbps H.265: 12 Kbps–6144 Kbps
<b>Day/Night</b>	Auto(ICR) / Colour / B/W
<b>BLC</b>	Yes
<b>HLC</b>	Yes
<b>WDR</b>	120 dB
<b>White Balance</b>	Auto/natural/street lamp/outdoor/manual/regional custom
<b>Gain Control</b>	Auto/Manual
<b>Noise Reduction</b>	3D NR
<b>Motion Detection</b>	OFF/ON (4 areas, rectangular)
<b>Region of Interest(RoI)</b>	Yes (4 areas)
<b>Smart LED</b>	Yes
<b>Image Rotation</b>	0°/ 90°/ 180°/ 270° (Support 90° / 270° with 2688×1520 resolution and lower.)
<b>Mirror</b>	Yes
<b>Privacy Masking</b>	4 areas
<b>Audio</b>	
<b>Built-in MIC</b>	Yes
<b>Built-in Speaker</b>	Yes
<b>Audio Compression</b>	G.711a; G.711Mu; PCM; G.726
<b>Alarm</b>	
<b>Alarm Event</b>	No SD card; SD card full; SD card error; network disconnection; IP conflict; illegal access; motion detection; video tampering; tripwire; intrusion; audio detection; voltage detection; SMD; security exception
<b>Network</b>	
<b>Network</b>	RJ-45 (10/100 Base-T)

<b>SDK and API</b>	Yes
<b>Network Protocol</b>	IPv4; IPv6; HTTP; TCP; UDP; ARP; RTP ; RTSP; RTCP; RTMP; SMTP; FTP; SFTP; DHCP; DNS; DDNS; NTP; Multicast; ICMP; IGMP; NFS; P2P; auto registration
<b>Interoperability</b>	ONVIF (Profile S/Profile G/Profile T); CGI; P2P; Milestone;
<b>User/Host</b>	6 (Total bandwidth: 36 M)
<b>Storage</b>	FTP; SFTP; Micro SD Card (support max. 256 G);
<b>Browser</b>	IE, Chrome, Firefox
<b>Management Software</b>	DMSS
<b>Mobile Phone</b>	iOS & Android
<b>Cyber Security</b>	Configuration encryption;Trusted execution;Digest;Security logs; WSSE;Account lockout;syslog;Video encryption;802.1x;IP/MAC filtering;HTTPS;Trusted upgrade;Trusted boot;Generation and importing of X.509 certification
<b>Certification</b>	
<b>Certifications</b>	CE-LVD: EN62368-1; CE-EMC: Electromagnetic Compatibility Directive 2014/30/EU
<b>Power</b>	
<b>Power Supply</b>	12V DC/PoE
<b>Power Consumption</b>	Basic: 2 W (12 VDC), 2.6 W (PoE) Max. (H.265 + intelligence on + WDR + IR intensity + warm light deterrence + speaker): 8.6 W (12 VDC), 10.1 W (PoE)
<b>General</b>	
<b>Operating Temperature</b>	-40 °C to +60 °C (-40 °F to +140 °F)
<b>Operating Humidity</b>	≤95%
<b>Storage Temperature</b>	-40 °C to +60 °C (-40 °F to +140 °F)
<b>Storage Humidity</b>	≤95%
<b>Protection</b>	IP67
<b>Casing Material</b>	Inner core: Metal - Cover: Plastic
<b>Product Dimensions</b>	89.2 mm × Φ105 mm
<b>Net Weight</b>	0.39 kg (0.86 lb)
<b>Gross Weight</b>	0.57 kg (1.26 lb)



All specifications are subject to change without notice. Copyright © Luxrite Ltd. All rights reserved