

# Ruijie Reyee RG-RAP6260(G) Access Point

## Hardware Installation and Reference Guide



## Copyright

Copyright © 2023 Ruijie Networks

All rights are reserved in this document and this statement.

Without the prior written consent of Ruijie Networks, any organization or individual shall not reproduce, extract, back up, modify, or propagate the content of this document in any manner or in any form, or translate it into other languages or use some or all parts of the document for commercial purposes.



and other Ruijie networks logos are trademarks of Ruijie Networks.

All other trademarks or registered trademarks mentioned in this document are owned by their respective owners.

## Disclaimer

The products, services, or features you purchase are subject to commercial contracts and terms, and some or all of the products, services, or features described in this document may not be available for you to purchase or use. Except for the agreement in the contract, Ruijie Networks makes no explicit or implicit statements or warranties with respect to the content of this document.

The content of this document will be updated from time to time due to product version upgrades or other reasons, Ruijie Networks reserves the right to modify the content of the document without any notice or prompt.

This manual is designed merely as a user guide. Ruijie Networks has tried its best to ensure the accuracy and reliability of the content when compiling this manual, but it does not guarantee that the content of the manual is completely free of errors or omissions, and all the information in this manual does not constitute any explicit or implicit warranties.

# Preface

## Intended Audience

This document is intended for:

- Network engineers
- Technical support and servicing engineers
- Network administrators

## Technical Support

- The official website of Ruijie Reyee: <https://www.ruijienetworks.com/products/reyee>
- Technical Support Website: <https://www.ruijienetworks.com/support>
- Case Portal: <https://caseportal.ruijienetworks.com>
- Community: <https://community.ruijienetworks.com>
- Technical Support Email: [service\\_rj@ruijienetworks.com](mailto:service_rj@ruijienetworks.com)

## Conventions

### 1. Signs

This document also uses signs to indicate some important points during the operation. The meanings of these signs are as follows:

---

#### **Caution**

An alert that calls attention to safety instruction that if not understood or followed can result in personal injury.

---

#### **Warning**

An alert that calls attention to important rules and information that if not understood or followed can result in data loss or equipment damage.

---

#### **Note**

An alert that calls attention to essential information that if not understood or followed can result in function failure or performance degradation.

---

#### **Instruction**

An alert that contains additional or supplementary information that if not understood or followed will not lead to serious consequences.

---

#### **Specification**

An alert that contains a description of product or version support.

---

### 2. Note

This manual provides installation steps, troubleshooting, technical specifications, and usage guidelines for cables and connectors. It is intended for users who want to understand the above and have extensive experience in network deployment and management, and assume that users are familiar with related terms and concepts. rdware. At the same time, it is assumed that the users are already familiar with the related terms and concepts.

# 1 Product Overview


RG-RAP6260(G) supports 802.11ax and provides dual-radio and dual-band performance speeding up to 575Mbps@2.4G + 1200Mbps@5G. The IP68 design adapts to inclement outdoor environments such as the cold and humidity. This substantially simplifies installation and maintenance. RAP6260(G) supports PoE to take over challenges in a wide variety of deployment scenarios, including large-scaled campuses, enterprises, hospitals and Wi-Fi hotspots.

## 1.1 Technical Specifications

Table 1-1 Technical Specifications of RG-RAP6260(G)

Hardware Specifications	
<b>RF</b>	Dual-Band Dual-Stream
<b>Transmission Protocol</b>	Support concurrent 802.11ax, 802.11ac wave2/wave1 and 802.11a/b/g/n
<b>Operating Bands</b>	802.11b/g/n/ax: 2.4 GHz to 2.4835 GHz 802.11a/n/ac/ax: 5.150 GHz to 5.350 GHz, 5.725 GHz to 5.850 GHz
<b>Antenna</b>	Antenna array, 2.4G: 4dBi; 5G: 6dBi Bluetooth array, 2.4G: 2dBi
<b>Spatial Streams</b>	2.4G: 2x2MIMO 5G: 2x2MIMO
<b>Access Rates</b>	2.4GHz: up to 575Mbps 5GHz: up to 1200Mbps
<b>Modulation</b>	OFDM: BPSK@6/9Mbps, QPSK@12/18Mbps, 16QAM@24Mbps, and 64QAM@48/54Mbps DSSS: DBPSK@1Mbps, DQPSK@2Mbps, and CCK@5.5/11Mbps MIMO-OFDM: BPSK, QPSK, 16QAM, 64QAM, 256QAM and 1024QAM OFDMA
<b>Receive Sensitivity</b>	11b: -96dBm(1Mbps), -93dBm(5Mbps), -89dBm(11Mbps) 11a/g: -91dBm(6Mbps), -85dBm(24Mbps), -80dBm(36Mbps), -74dBm(54Mbps) 11n: -90dBm(MCS0), -70dBm(MCS7), -89dBm(MCS8), -68dBm(MCS15) 11ac: 20MHz: -88dBm(MCS0), -63dBm(MCS9) 11ac: 40MHz: -85dBm(MCS0), -60dBm(MCS9) 11ac: 80MHz: -85dBm(MCS0), -60dBm(MCS9) 11ax: 80MHz: -82dBm(MCS0), -57dBm(MCS9), -52dBm(MCS11)
<b>Maximum Transmit Power</b>	≤250mw (24dBm) (Country-specific)
<b>Transmit Power Adjustment</b>	1dBm
<b>Dimensions (W x D x H)</b>	298 mm×298 mm×65 mm (11.7in x 11.7in x 2.6in) (excluding bracket)
<b>Weight</b>	≤1.35kg
<b>Service Ports</b>	One 10/100/1000Base-T Ethernet port (Support PoE) One 1000Base-X SFP port (optional)

	Note: The access point itself does not transmit optical signals. An optical transceiver module must be installed on the access point to convert optical signals into electrical signals.
<b>Management Ports</b>	N/A
<b>LED</b>	One LED (blue)
<b>Power Supply</b>	PoE: IEEE 802.3at (PoE+)
<b>Power Consumption</b>	Maximum: 17W
<b>Bluetooth</b>	Support
<b>Temperature</b>	Operating: -40°C to 65°C (-40°F to 149°F)
	Storage: -40°C to 85°C (-40°F to 185°F)
<b>Humidity</b>	Operating: 0% to 100% (non-condensing)
	Storage: 0% to 100% (non-condensing/condensing)
<b>Installation</b>	Wall/Pole mount
<b>Certification</b>	CE
<b>MTBF</b>	>400,000H

 The weight refers to the weight of host and bracket.

## 1.2 Product Image

The RG-RAP6260(G) provides one 10/100/1000Base-T Ethernet port (Support PoE) and one 1000Base-X SFP port (optional).

Figure 1-1 Appearance of RG-RAP6260(G)





### 1.3 LED Indicators

State	Frequency	Meaning
Off	N/A	The AP is NOT receiving power.
Slow Blinking	0.5Hz	Normal operation, but the device is not connected to Ruijie Cloud.
Fast Blinking	10Hz	1. Restoring the factory settings. 2. Upgrading the firmware. 3. Restoring the image file. 4. Initializing the device.
Solid Blue	On	Normal operation.
Reset Button	Press for less than 2s	Restart the device.
	Press for more than 5s	Restore the factory settings.

#### Power Source

The RG-RAP6260(G) is powered through Power over Ethernet (PoE).

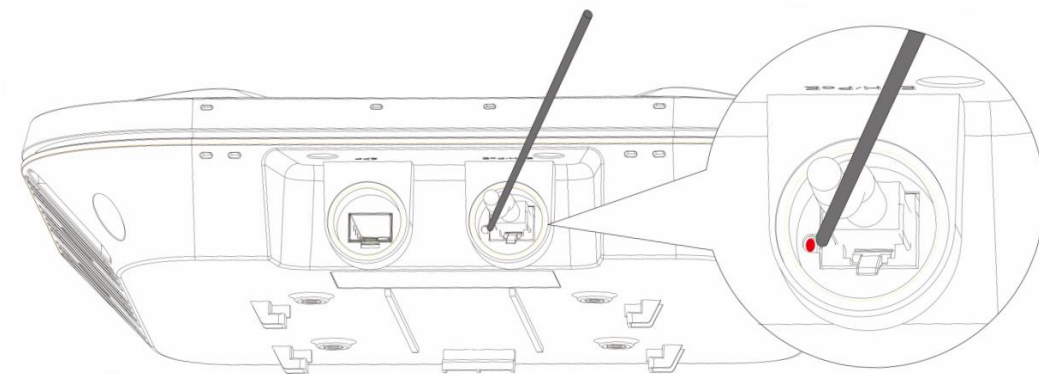
**i** To use a PoE device, make sure it supports the IEEE 802.3at standard.

#### Reset

The RG-RAP6260(G) supports Cloud management. To reset the device, you can bring the device online and reset it on Ruijie Cloud.

If the device can not access the Internet, power on the device, press the reset button with a thin rod (as shown in the figure) for more than 5 seconds, and the device will restore the factory settings.

Figure 1-2 Reset the Device





- 
- i** Before pressing the reset button, please remove the waterproof joint first. Refer to the Chapter 3.5 Connecting Cables for more information.
- 

### Cooling Solution

The AP adopts fanless design.

- 
- i** Leave sufficient space at the surrounding of the AP when place the AP to permit airflow for proper ventilation.
-

## 2 Preparing for Installation

- 
-  To prevent device damage and bodily injury, please read carefully the safety recommendations described in this chapter.
  -  The recommendations do not cover all possible hazardous situations.
- 

### 2.1 Installation

The AP must be installed indoors. To ensure its normal operation, the installation site must meet the following requirements.

- Install the AP in a well-ventilated environment. If it is installed in a closed room, make sure there is a good cooling system.
- Make sure the site is sturdy enough to support the AP and its accessories.
- Make sure the site has enough space for installing the AP and leave sufficient room around the AP for ventilation.
- Do not expose the AP to high temperature, dusts, or harmful gases.
- Do not install the AP in an inflammable or explosive environment.
- Keep the AP away from EMI sources such as large radar stations, radio stations, and substations.
- Do not subject the AP to unstable voltage, vibration, and noises.
- Keep the AP at least 500 meters away from the seaside and do not face it toward the wind from the sea.
- The installation site should be free from water flooding, seepage, dripping, or condensation.
- The installation site shall be selected according to network planning and features of communications equipment, and considerations such as climate, hydrology, geology, earthquake, electric power, and transportation.

---

 Please follow the correct method described in the installation guide to install and remove the device.

---

### 2.2 Movement


- Avoid moving the device frequently.
- Turn off all power supplies and unplug all power cables before you move the device.


### 2.3 EMI

- Please observe local regulations and specifications when performing electrical operations. Relevant operators must be qualified.
- Please carefully check for any potential danger in the working area, for example, damp/wet ground or floor.
- Find out the location of the emergency power supply switch in the room before installation. First cut off the power supply in case of an accident.
- Be sure to make a careful check before you shut down the power supply.



- Do not place the device in a damp/wet location. Do not let any liquid enter the chassis
- Keep the AP far away from the grounding or lightning protection devices of power equipment.
- Keep the AP away from radio stations, radar stations, high-frequency high-current devices, and microwave ovens.

 Any nonstandard and inaccurate electrical operation can cause an accident such as fire or electric shock, thus causing severe even fatal damages to human bodies and device.

 Direct or indirect touch through a wet object on high voltage and power line can bring a fatal danger.

## 2.4 Ventilation

For proper ventilation, leave sufficient space around the AP.

## 2.5 Temperature and Humidity

To ensure normal operation and service life of the device, maintain appropriate temperature and humidity levels in your equipment room. See Table 2-1. Improper room temperature and humidity can cause damages to the device.

- Relatively high humidity may affect insulation materials, resulting in poor insulation and even electrical leakage, and sometimes may lead to change of mechanical properties of materials and corrosion of metal parts.
- Relatively low humidity may dry and shrink insulation sheets and cause static electricity that can damage the circuitry inside the device.
- High temperature greatly reduces reliability of the device and shortens its service life.
- When the SFP module is used for data transmission, ensure its operating temperature matches the actual operating environment.

Table 2-1 Required Temperature and Humidity for the RG-RAP6260(G)

Temperature	Relative Humidity
-40°C to 65°C (-40°F to 149°F)	0% to 100%


## 2.6 Waterproof


Use a seal plug to seal the unused ports.

Use a waterproof plug to connect cables to the AP. For details, see Chapter 3 “Installing the Access Point”.

## 2.7 Power Supply


- PoE injector: IEEE 802.3at compliant

 The input power should be greater than the power actually consumed by the system. The input power for the RG-RAP6260(G) should be greater than 18W.

 Please use Ruijie certified PoE injectors.

## 2.8 Installation Tools


<b>Common Tools</b>	Phillips screwdriver, related copper and fiber cables, bolts, diagonal pliers, cable ties
<b>Special Tools</b>	Wire stripper, crimping pliers, RJ-45 crimping pliers, punch down tool
<b>Meter</b>	Multimeter, bit error rate tester (BERT)

 The listed tools are customer supplied.

## 2.9 Unpacking the Access Point

### Package Contents

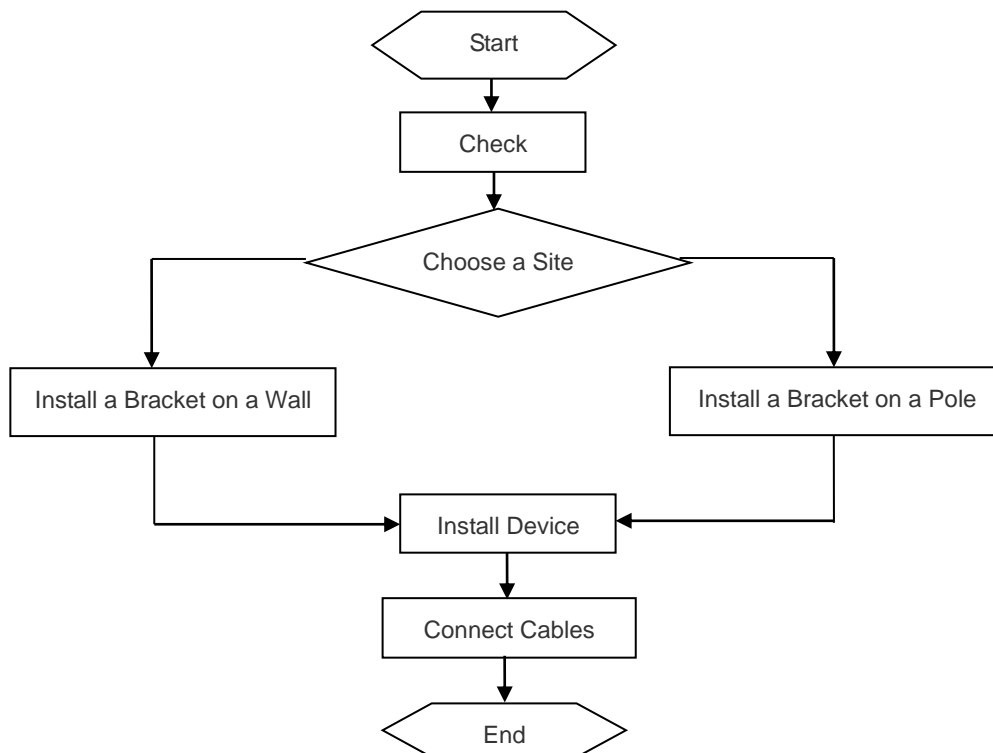
<b>Items</b>	Verify that all parts are installed and debugged. Screws Mounting brackets Product quick installation guide Packing list
--------------	--

 The above listed items are for general situations, which may vary in the actual shipment. The purchase order shall prevail in any case. Please check each item carefully according to the packing list or purchase order. If any item is damaged or missing, notify the sales person.

## 3 Installing the Access Point

**i** Before installing the AP, make sure you have carefully read the requirements described in Chapter 2.

### 3.1 Installation Flowchart



### 3.2 Before You Begin

Before you install the AP, verify that:

- The installation site provides sufficient ventilation for the AP.
- The installation site meets temperature and humidity requirements.
- The installation site is equipped with proper power supply.
- Network cables are in place.
- The installation site meets all described requirements.
- The custom AP meets the customers' requirements.

### 3.3 Precautions

The device can be mounted on a wall or a pole (diameter: 50 mm to 70 mm). If the diameter of the pole is out of the range, the hose clamp is customer-supplied (thickness  $\geq 2.5\text{mm}$ ). The installation site can vary due to on-the-spot surveys conducted by technical personnel.

Please make full preparations as described in Chapter 2 and observe the following precautions before installing the device.

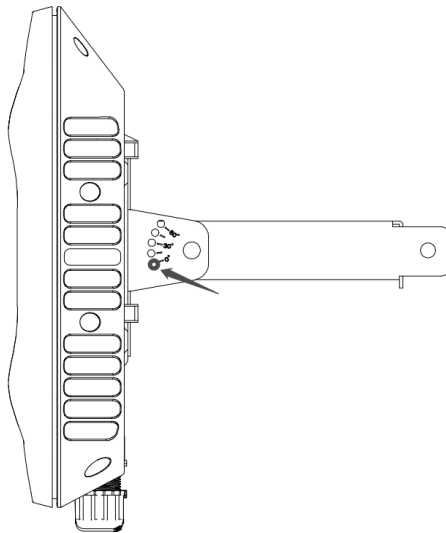
- Do not power the device during installation.
- Install the device in a well-ventilated location.
- Do not subject the device to high temperatures.
- Keep away from high voltage cables.
- Do not expose the device in a thunderstorm or strong electric field.
- Keep the device clean and dust-free.
- Disconnect the device before cleaning it.
- Do not wipe the device with a damp cloth.
- Do not wash the device with liquid.
- Do not open the enclosure when the AP is working.
- Fasten the device tightly.

### 3.4 Installing the Access Point

- Preparation before Installing

Adjust the angle of the access point to 0°, and fix the access point with M4x10 screws.

Figure 3-1 Adjust the Angle of Access Point

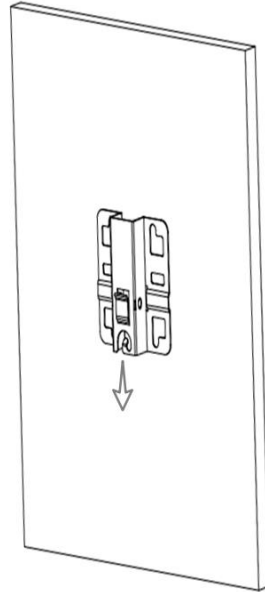


- Wall mount

Use M8x60 expansion bolts to implement the wall mount.

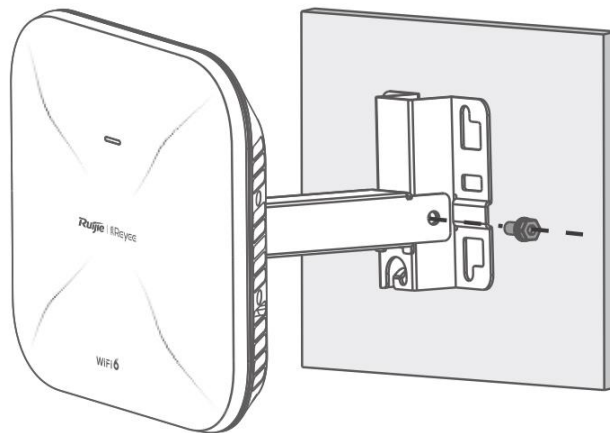
- a. Attach the bracket to the wall and mark the screw hole locations. Secure the mounting bracket on the wall using M8x60 expansion bolts.

Figure 3-2 Installing the Bracket



- b. Align the host with bracket and mounting plate to the bracket on the wall, and tighten the M8x20 screws to complete installation.

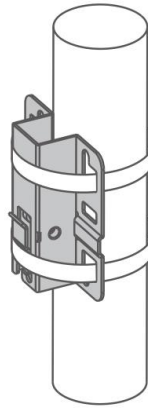
Figure 3-3 Mounting the Bracket on Wall



- Pole mount (Vertical)

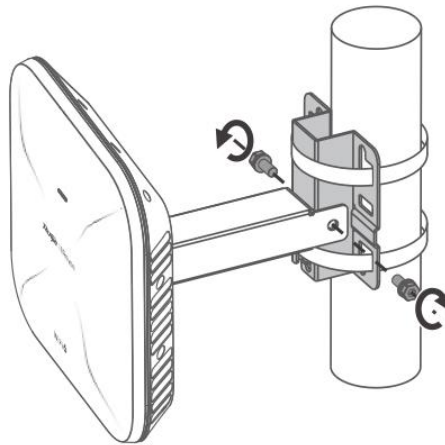
- a. Attach the bracket to a pole with hose clamps and fasten the clamps with screws and nuts.

Figure 3-4 Mounting the Bracket on a Pole



b. Align the host with bracket and mounting plate to the bracket on the pole, and tighten the M8x20 screws to complete installation.

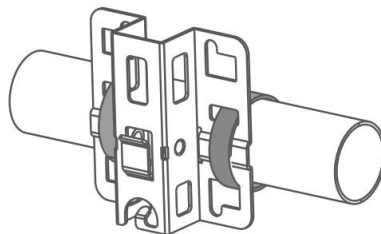
Figure 3-5 Vertical Pole Mounting



● Pole mount (Horizontal)

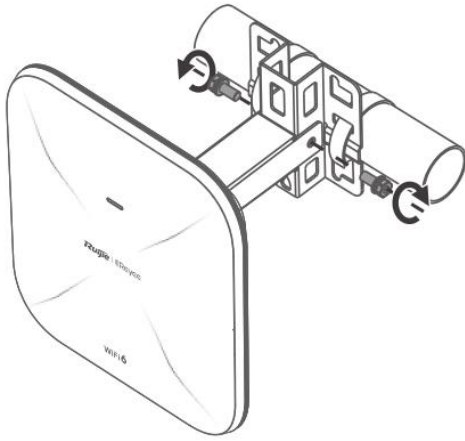
a. Attach the bracket to a pole with hose clamps and fasten the clamps with screws and nuts.

Figure 3-6 Mounting the Bracket on a Pole



b. Align the host with bracket and mounting plate to the bracket on the pole, and tighten the M8x20 screws to complete installation.

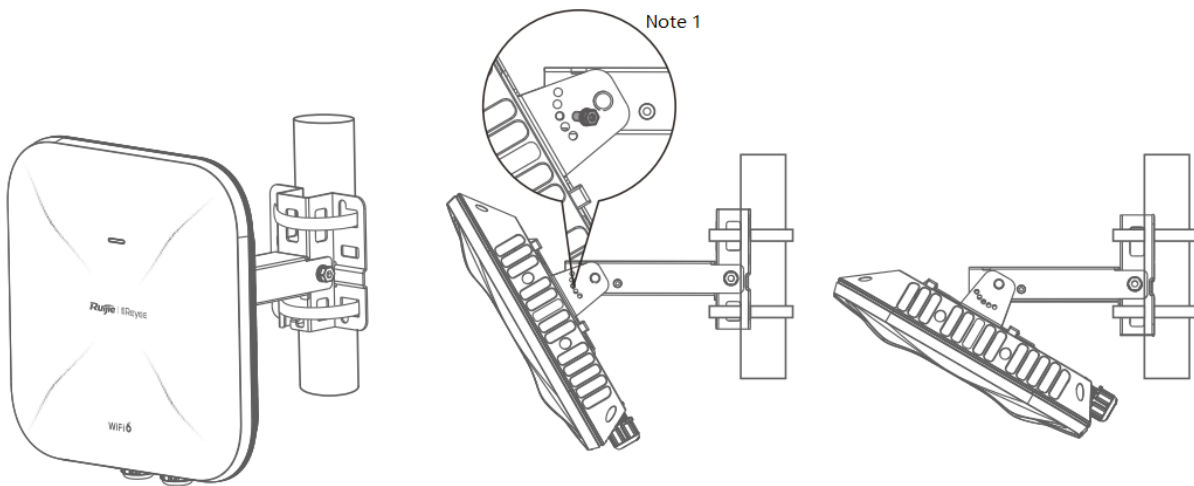
Figure 3-7 Horizontal Pole Mounting



- Angle Adjustment

- To cover the specified area, adjust the angle (five stages from 0° to 60°).

Figure 3-8 Adjust the Angle



- When the angle of the access point is properly adjusted, secure the access point with M4x10 screws in the position shown in Note 1.

---

**⚠** The device uses high-gain omnidirectional antenna. It is recommended to set the joint downward to be perpendicular to the ground to obtain the maximum coverage radius.

**⚠** After installation, verify that the AP is securely fastened.

---

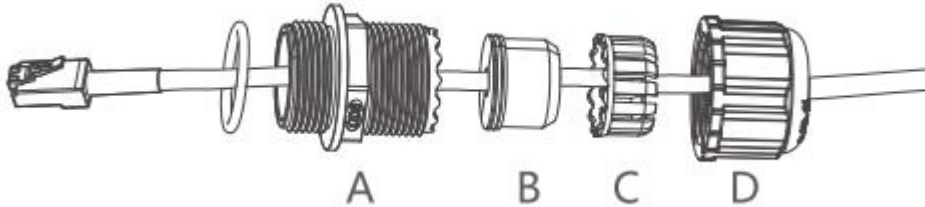
### 3.5 Connecting Cables

- Connecting to Network Port or Fiber (optional)

- Screw off the waterproof joint, and the joint consists of four parts: A (main body), B (rubber plug), C (grab) and D (tightening nut).

2. Run a network cable or fiber (optional) through the joint according to the order shown in the figure, and combine parts B and C and place them in part A.
3. Screw part D, and wear the joint tightly with a waterproof tape.

Figure 3-9 Cable Connection



- 
- ⚠ The waterproof materials are customer supplied.
  - ⚠ Avoid bending the cable in a small radius close to the connector.
  - ⚠ It is not recommended to use Ethernet cables with protective sleeves as they could make installation of Ethernet cables more difficult. The Ethernet cable must have a diameter of  $5.5\pm 1\text{mm}$ , because any thicker or thinner cable does not ensure waterproof performance.
  - ⚠ As an optical module (optional) is enabled, the LC-LC fiber jumper cable must have a diameter of  $3.0\pm 0.2\text{mm}$ , because any thicker or thinner cable does not ensure waterproof performance.
  - ⚠ When the joint is removed, take down the parts in the order of D, B, C and A. That is, first screw off the tightening nut (D), then remove the rubber plug (B) and the grab (C), and finally dismantle the cable connected to the AP device; otherwise, the cable will be damaged.
- 

## 3.6 Bundling Cables

### Precautions

- Make sure the cable bundles are neat and orderly.
- Bend twisted pairs naturally or to a large radius close to the connector.
- Do not over tighten cable bundle as it may reduce the cable life and performance.

### Bundling Steps

1. Bundle the drop UTP/STP cables and route them to the ETH/PoE port.
2. Attach the cables in the cable tray of the rack.
3. Extend the cables under the AP and run in straight line.

## 3.7 Checking after Installation

### Checking the Host

- Make sure the external power supply matches the specifications of device.
- Make sure the device and all cables are securely fastened and stable.



### **Checking Cable Connection**

- Make sure the UTP/STP cable matches the interface type.
- Make sure cables are properly bundled.

### **Checking the Power Supply**

- Make sure all power cables are properly connected and safe.
- Make sure the AP is operational after power-on.

## 4 System Debugging

### 4.1 Setting up a Debugging Environment

Power on the AP through PoE.

#### Setting up the Environment

- Verify that the AP is properly connected to the power source.
- Connect the AP to an AC through network cable.
- When the AP is connected to a PC for debugging, verify that the PC and PoE switch are properly grounded.

### 4.2 Powering up the AP

#### Checking before power-up

- Verify that the power supply is properly connected.
- Verify that the input voltage matches the specification of the AP.

#### Checking after power-up (recommended)

After powering up, it is recommended that you check the following to ensure normal operation of the AP.

- Check if any message is printed on the Web-based configuration interface of the AC.
- Check if the LED works normally.

## **5 Monitoring and Maintenance**

### **5.1 Monitoring**

#### **LED**

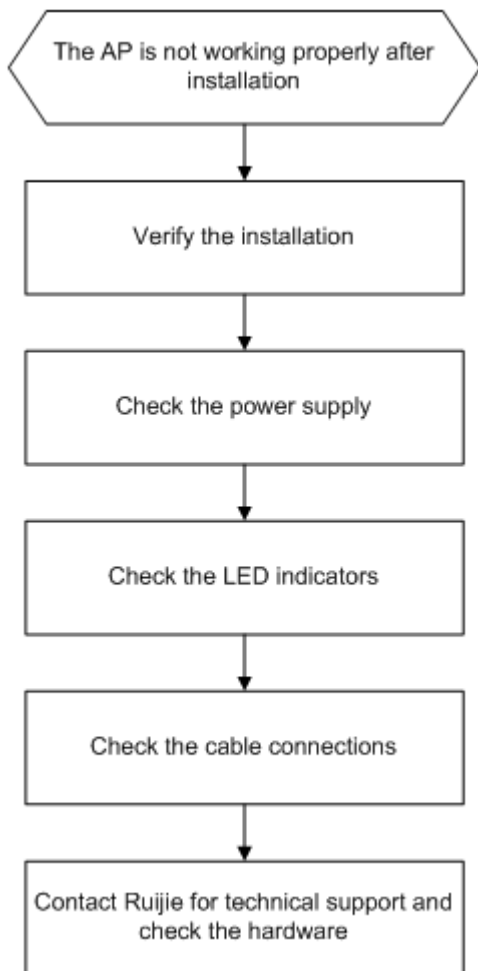
You can observe the LED to monitor the AP in operation.

### **5.2 Hardware Maintenance**

If the hardware is faulty, please contact our Technical Assistance Center (TAC) for help.

## 6 Troubleshooting

### 6.1 Troubleshooting Flowchart



### 6.2 Troubleshooting

#### **LED does not light up after the AP is powered on**

Verify that the power source is IEEE 802.11at compliant, and then verify that the cable is connected properly.

#### **Ethernet port is not working after the Ethernet port is connected**

Verify that the device at the other end of the Ethernet cable is working properly. And then verify that the Ethernet cable is capable of providing the required data rate and is properly connected.

#### **Wireless client cannot find the AP**

1. Check whether the power supply is normal.
2. Check the Ethernet port connection.

3. Verify that the AP is configured correctly.
4. Move the client device to adjust the distance between the client and the AP.

# Appendix A Connectors and Media

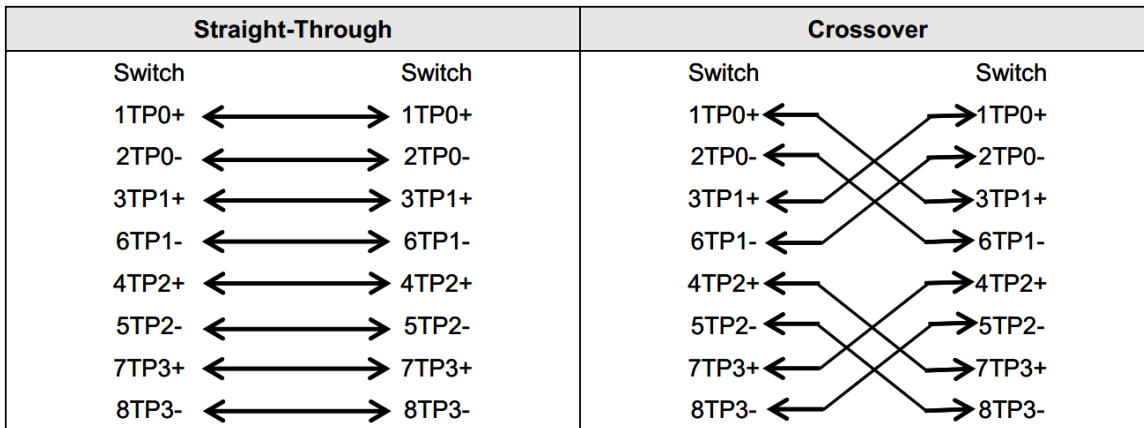
## 1000BASE-T/100BASE-TX/10BASE-T

The 1000BASE-T/100BASE-TX/10BASE-T is a 10/100/1000 Mbps auto-negotiation port that supports auto MDI/MDIX.

Compliant with IEEE 802.3ab, 1000BASE-T requires Category 5e 100-ohm UTP or STP (STP is recommended) with a maximum distance of 100 meters (328 feet).

1000BASE-T requires all four pairs of wires be connected for data transmission, as shown in Figure A-1.

Figure A-1 1000BASE-T Connection



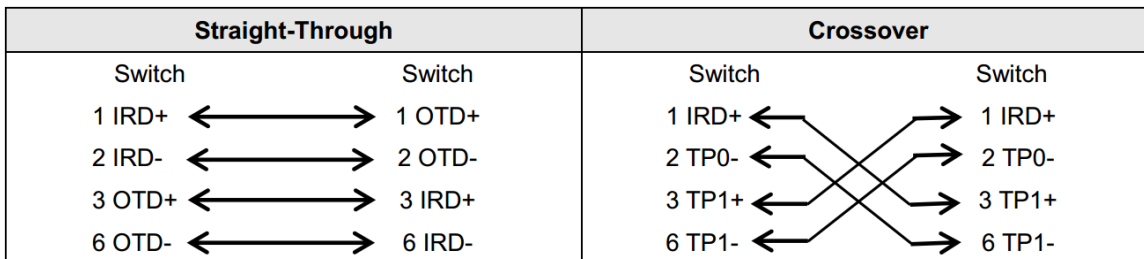
10BASE-T uses Category 3, 4, 5 100-ohm UTP/STP and 1000BASE-T uses Category 5 100-ohm UTP/STP for connections. Both support a maximum length of 100 meters. Table A-1 shows 100BASE-TX/10BASE-T pin assignments.

Table A-1 100BASE-TX/10BASE-T Pin Assignments

Pin	Socket	Plug
1	Input Receive Data+	Output Transmit Data+
2	Input Receive Data-	Output Transmit Data-
3	Output Transmit Data+	Input Receive Data+
6	Output Transmit Data-	Input Receive Data-
4,5,7,8	Not used	Not used

Figure A-2 shows wiring of straight-through and crossover cables for 100BASE-TX/10BASE-T.

Figure A-2 100BASE-TX/10BASE-T Connection



## Appendix B Mini-GBIC Module Specifications

Ruijie provides various Gigabit SFP transceivers (Mini-GBIC modules) for interfaces of wireless access controllers. You can select the most suitable SFP modules as needed. This appendix describes the models and specifications of some of the Gigabit SFP transceivers for your reference.


### Mini-GBIC (SFP) Models and Specifications

Table B-1 Models and Specifications of SFP Modules

Mini-GBIC(SFP)	Wavelength (nm)	Fiber Type	Core Size (micron)	Modal Bandwidth (MHz/km)	Cable Distance	Max Transmit (dBm)	Max Receive (dBm)	Standards	
FE-SFP-LX-MM1310	1310	MMF <sup>1</sup>	62.5/125	—	2 km	-14	-14	IEEE802.3	
FE-SFP-LH15-SM1310	1310	SMF <sup>2</sup>	9/125	—	15 km	-8	-8		
MINI-GBIC-SX-MM850	850	MMF <sup>1</sup>	62.5 62.5 50.0 50.0	160 200 400 500	220 m 275 m 500 m 550 m	-4	-17		
MINI-GBIC-LX-SM1310	1310	MMF <sup>1</sup> SMF <sup>2</sup>	62.5 50.0 50.0 9/10	500 400 500 —	550 m 550 m 550 m 10 km	-3	-20		
MINI-GBIC-LH40-SM1310	1310	SMF <sup>2</sup>	9/125	—	40 km	3	-3		
MINI-GBIC-ZX50-SM1550	1550	SMF <sup>2</sup>	—	—	50 km	0	-22		
MINI-GBIC-ZX80-SM1550					80 km	4.7	-22		
MINI-GBIC-ZX100-SM1550					100 km	5	-9		
Mini-GBIC-GT	—	Cat 5 UTP	—	—	100 m	—	—		

<sup>1</sup> MMF=Multimode fiber

<sup>2</sup> SMF=Single mode fiber

 When using shorter distances of single-mode fiber for optical SFP transceivers with cable distance greater than 40 km (including 40 km), you may need to insert an in-line optical attenuator in the link to avoid overloading the receiver.

## Appendix C: Cabling Recommendations

During installation, route cable bundles upward or downward along the sides of the rack depending on the actual situation in the equipment room. All cable connectors should be placed at the bottom of the cabinet rather than be exposed outside of the cabinet. Power cords should be routed upward or downward beside the cabinet close to the location of the DC power distribution cabinet, AC power outlet, or lightning protection box.

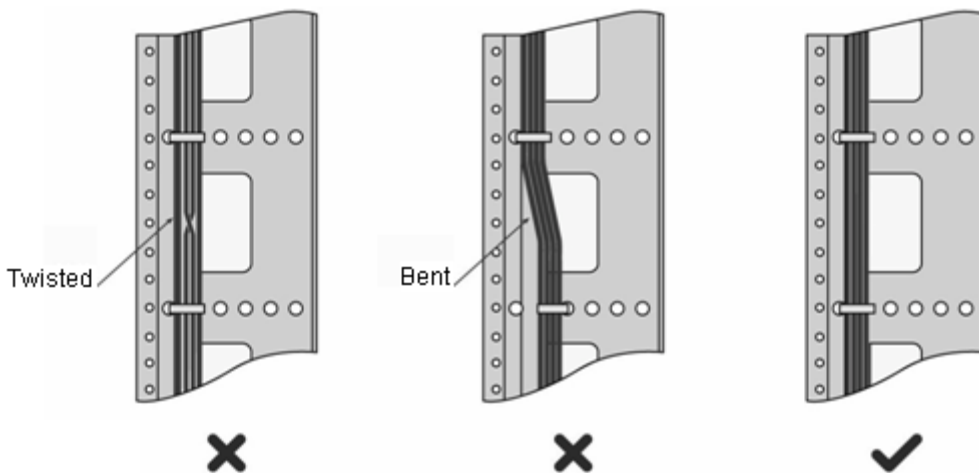
### Required Minimum Cable Bend Radius

- The minimum bend radius of a power, communication or flat cable should be 5 times the overall diameter of the cable. If the cable is constantly bent, plugged or unplugged, the bend radius should be 7 times the overall diameter.
- The minimum bend radius of a coaxial cable should be 7 times the overall diameter of the cable. If the cable is constantly bent, plugged or unplugged, the bend radius should be 10 times the overall diameter.
- The minimum bend radius of a high-speed cable, such as an SFP+ cable should be 5 times the overall diameter of the cable. If the cable is constantly bent, plugged or unplugged, the bend radius should be 10 times the overall diameter.

### Precautions for Cable Bundling

- Before bundling cables, correctly mark labels and stick the labels to cables where appropriate.
- Cables should be neatly and properly bundled, as shown in Figure B-1.

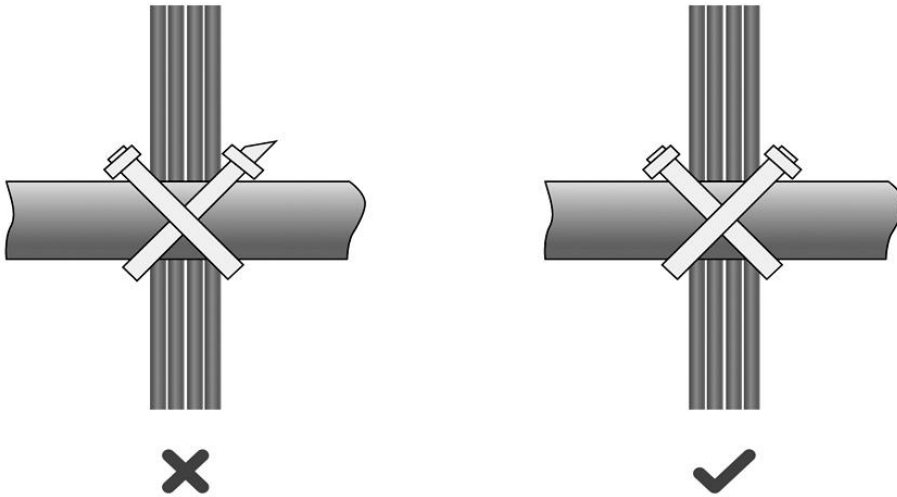
Figure B-1 Bundling Cables



- Route and bundle power, signal, ground cables separately. When the cables are close to each other, cross them. When power cables run parallel to signal cables, the distance between them must be greater than 30 mm.
- All cable trays and their accessories shall be smooth and free from sharp edges.
- Holes in metal, through which cables pass shall have smooth, well-rounded surfaces or be protected with insulating bushings.
- Use proper cable ties to bind cables together. Do not tie two or more cable ties to bind cables.
- Cut off excess cable tie cleanly with no sharp edges after bundling cables, as shown in Figure B-2.

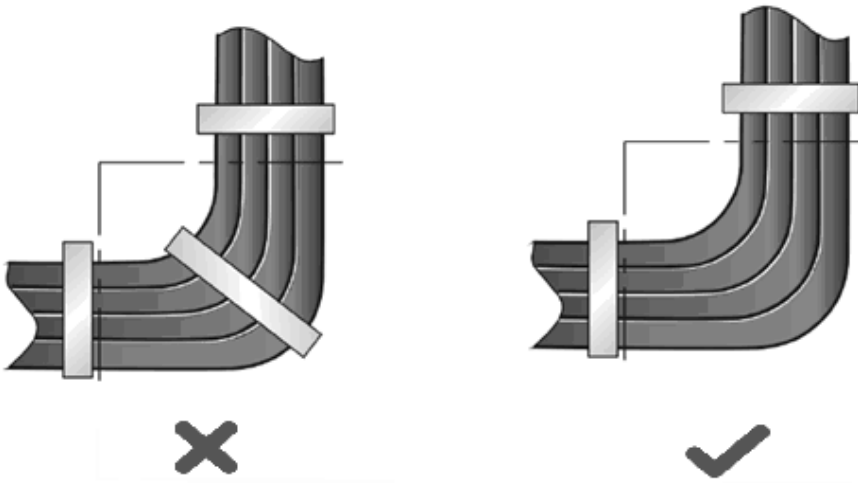
Figure B-2 Cutting off Excess Cable Tie





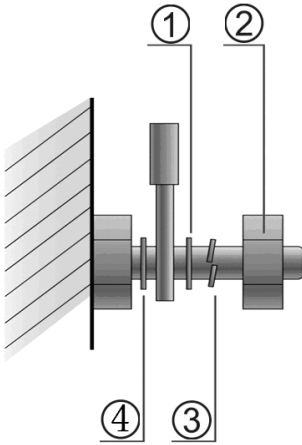
- If cables are to be bent, bind them first but do not tie cable ties within the bend to avoid stress on the cables, which may otherwise cause the wires inside to break, as shown in Figure B-3.

Figure B-3 Do Not Tie Cable Ties within the Bend



- Wrap up unnecessary or excess cables and bind them to the appropriate rack position, where device operation is not affected and no damages occur to the device and cables during debugging.
- Do not bind power cords to the rails for moving parts.
- Leave a certain length of the cable connecting moving parts, such as the ground wire of the cabinet door, to avoid stress on the cable; When moving parts are in place, ensure the excess cable length shall not contact heat sources, sharp corners or edges. If heat sources are unavoidable, use high-temperature cables instead.
- When using screws to fasten cable lugs, the bolts or nuts shall be tightened and prevented from loosening, as shown in Figure B-4.

Figure B-4 Fastening Cable Lugs



<b>Note</b>	1. Flat washer	3. Spring washer
	2. Nut	4. Flat washer

- When using a stiff cable, fix it near the cable lug to avoid stress on the lug and cable.
- Do not use self-tapping screws to fasten terminals.
- Bundle cables of the same type and running in the same direction into groups. Keep cables clean and straight.
- Cables shall be tied according to the following table.

Diameter of Cable Bundle (mm)	Space between Bundles (mm)
10	80 to 150
10 to 30	150 to 200
30	200 to 300

- Do not tie knots for cables or cable bundles.
- The metal parts of the cold-pressed terminal blocks, such as air circuit breakers, shall not be exposed outside of the blocks.