



5 FIXED
 TILT
 POSITIONS

BTV501

UNIVERSAL FLAT SCREEN WALL MOUNT WITH TILT



Designed to mount medium sized screens the BTV501 is ideal for home installations. With 5 fixed tilt positions up to +15° available, this mount features a simple 'hook-on' installation and post installation screen alignment making screen mounting as quick and simple as possible. The BTV501 also features a security locking bar to help prevent un-authorized removal of the screen. All fixings and mounting hardware included.

SPECIFICATION

Recommended screen size	up to 47"
Max load	40kg
VESA® & non-VESA fixings	up to 225 x 200mm
Tilt	+15°
Distance from wall	Flat: 44mm / Full tilt: 101mm

FEATURES

- 5 fixed tilt positions up to +15°
- Lateral adjustment of screen once mounted
- Security locking bar to prevent unauthorised screen removal
- Suitable for concrete, brick or stud walls up to 10"
- Simple 'hook-on' installation
- All mounting hardware included
- Available in Black



47" 120cm VESA 200 40KG 15°



5 fixed tilt positions



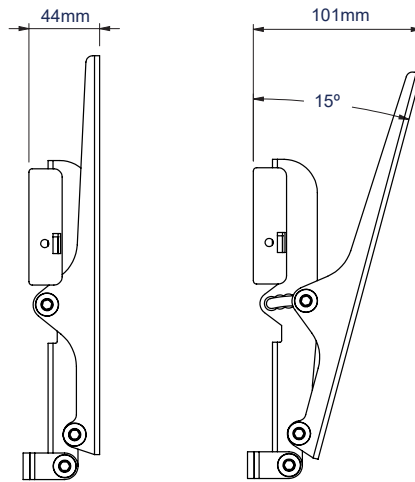
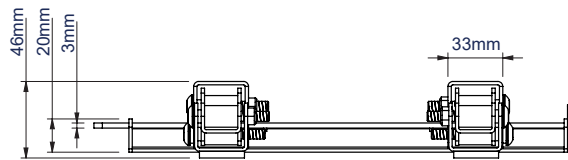
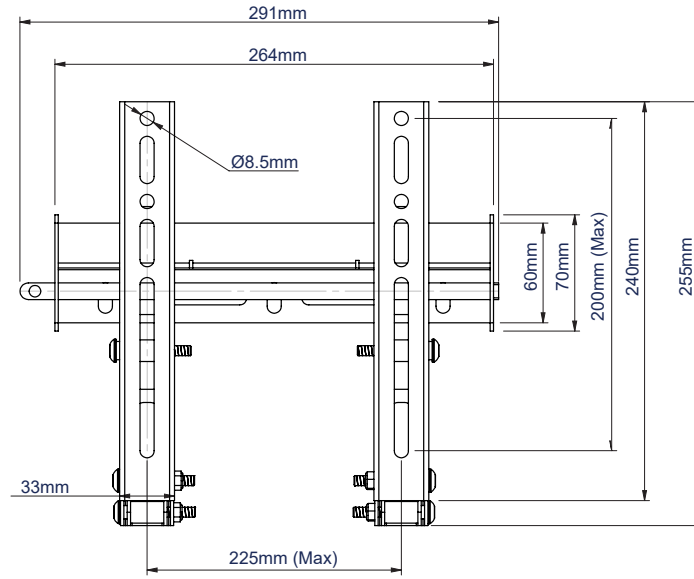
Locking bar for secure installation
 (padlock not included)



Supplied in retail packaging, ideal for the consumer market



All fixings and mounting hardware included



PACKING INFORMATION

COLOUR:	ORDER REF:	EAN CODE:	MASTER CARTON QTY:	INNER CARTON QTY:	MASTER CARTON WEIGHT:	MASTER CARTON CUBE:
Black	BTV501/B	5019318440076	6	N/A	11.73kg	0.023cbm

RELATED PRODUCTS



BTV500
Universal Flat Screen Wall Mount for screens up to 47"



BTV502
Flat Screen Wall Mount with Tilt and Swivel for screens up to 47"



BTV503
Flat Screen Wall Mount with Single Arm for screens up to 47"



BTV511
Universal Flat Screen Wall Mount with Tilt for screens from up to 55"

© 2016 B-Tech Consumer Products, a division of B-Tech Manufacturing Ltd. All rights reserved. The information in this specification is for reference only and does not constitute an offer of any product. We warrant the information in this specification is true and correct as of the date of publication. B-Tech is not responsible for any errors or omissions in this specification. Any reproduction or modification of any part of this specification is strictly prohibited unless prior written permission has been granted by B-Tech Manufacturing Ltd. (UK). SS-BTV501-V2-060819