

T&K Wall Brackets



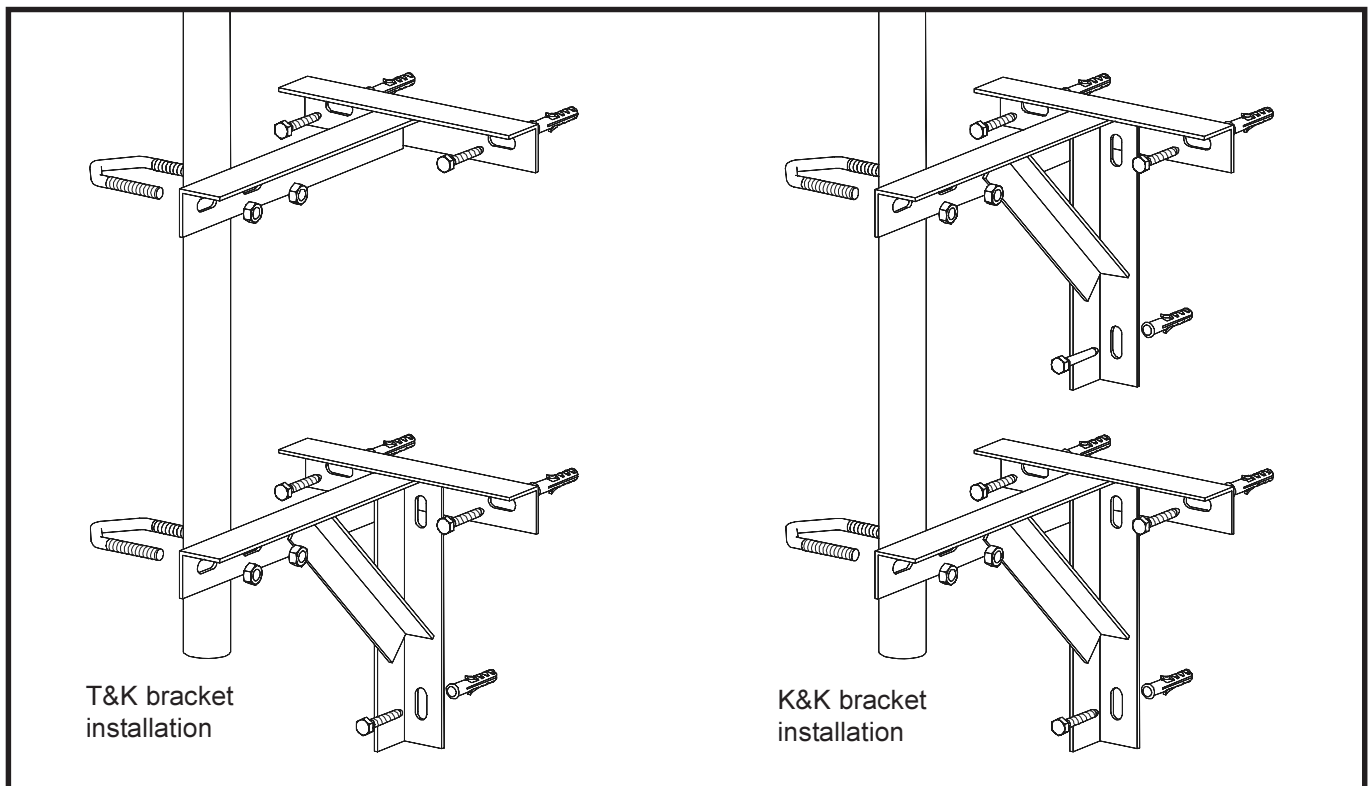
This leaflet covers the following:

WB84(&/G) 12" wall bracket, **WB85(&/G)** 18" wall bracket, **WB86(&/G)** 24" wall bracket and **WB87(&/G)** 36" wall bracket.

Fixing

Select a suitable position to fix the bracket. The wall surface must be in sound condition. Do not fix the bracket any closer than 300 mm (12" or four courses of brickwork) to the top of a wall or on a gable end, six courses from the apex. Drill into brickwork (mortar may be unreliable) using a 10 mm masonry bit to a depth of at least 65 mm (2.5") and fix the bracket using suitable plugs and coach screws. To achieve a firm fixing, tighten the screws with a spanner.

T&K brackets are generally fitted as a pair but two K brackets may be used for a heavier installation. **Two T brackets should never be used as a pair!** The distance between the brackets should be as great as possible but under no circumstances less than one sixth of the length of the pole to be used. U bolts should be tightened sufficiently to grip the pole but not so much as to deform it as this may cause the pole to fail under wind loading.



Further advice may be downloaded from www.blake-uk.com/downloads on the following:

- reception problems
- fitting coaxial connectors
- distributing TV signals around the home
- general recommendations

Safety

Working at height - carry out work outdoors at height only if you are competent in the use of ladders and related access equipment. Always work safely within your own limitations, ensuring that all equipment used is appropriate and is in good condition.