

# Wall Brackets

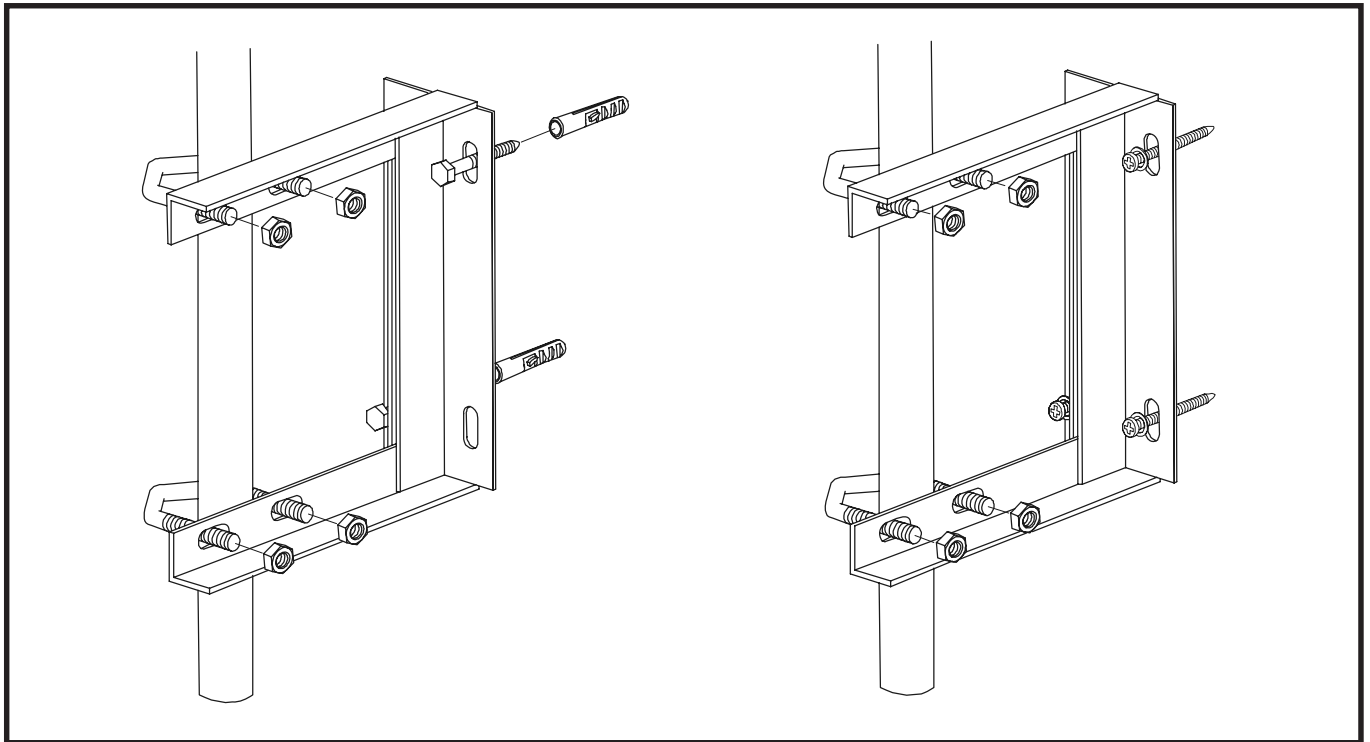
This leaflet covers the following:

**WB22** (9" x 9" wall bracket), **WB23** (12" x 12" wall bracket), **WB24** (12" x 18" wall bracket) and **WALLFIXKIT2** (wall bracket kit).

## Fixing

Select a suitable position to fix the bracket. The wall surface must be in sound condition. Do not fix the bracket any closer than 300 mm (12" or four courses of brickwork) to the top of a wall. Drill the wall using a 10 mm masonry bit to a depth of at least 65 mm (2.5") and fix the bracket using suitable plugs and coach screws (supplied in WALLFIXKIT2). To achieve a firm fixing, tighten the screws with a spanner.

The bracket can also be fitted to a substantial timber beam using the coach screws only. Pilot holes may need to be drilled in the timber first. The bracket may be fitted to a suitable roof timber such as a rafter or truss using woodscrews only (supplied in WALLFIXKIT2). Fascia boards, barge boards etc. may not provide sufficiently solid fixings and should not be used.



Further advice may be downloaded from [www.blake-uk.com/downloads](http://www.blake-uk.com/downloads) on the following:

- reception problems
- fitting coaxial connectors
- distributing TV signals around the home
- general recommendations

### Safety

***Working at height - carry out work outdoors at height only if you are competent in the use of ladders and related access equipment. Always work safely within your own limitations, ensuring that all equipment used is appropriate and is in good condition.***